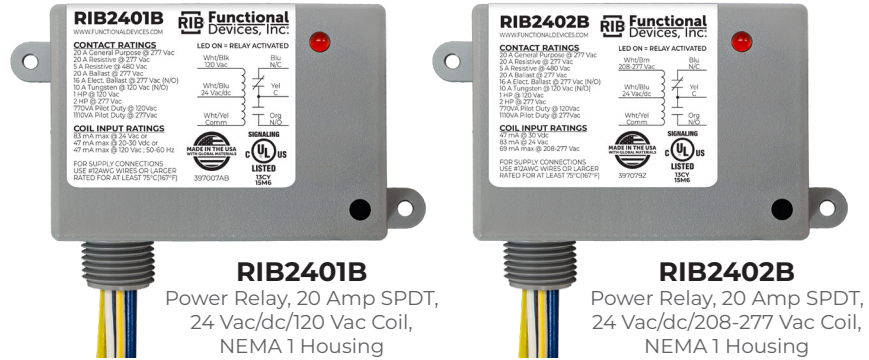
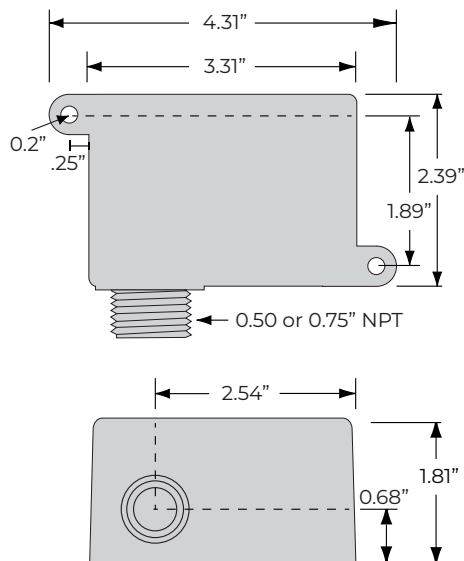
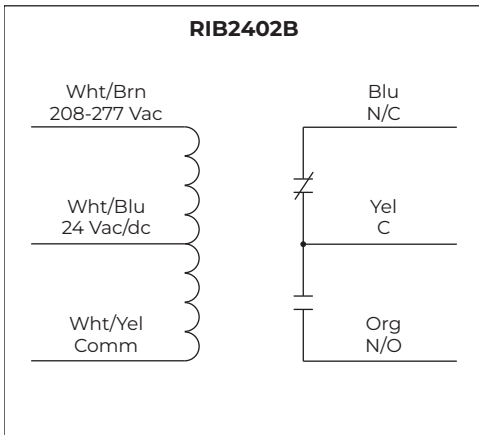
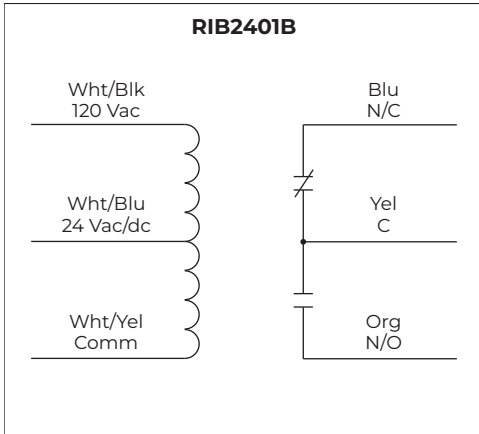


20 AMP POWER CONTROL RELAYS



SPECIFICATIONS

# Relays & Contact Type	One (1) SPDT Continuous Duty Coil
Expected Relay Life	10 million cycles minimum mechanical
Operating Temperature	-30 to 140° F
Humidity Range	5 to 95% (noncondensing)
Operate Time	18ms
Relay Status	LED On = Activated
Dimensions	2.390"H x 3.310"W x 1.810"D with .50" NPT hub
Origin	Made of US and non-US parts
Wires	16", 600V Rated
Approvals	UL Listed, UL916, UL864, C-UL, California State Fire Marshal, CE, RoHS
Housing Rating	UL Accepted for Use in Plenum, NEMA 1
Gold Flash	No
Override Switch	No
Contact Ratings	20 Amp General Purpose @ 277 Vac 20 Amp Resistive @ 277 Vac 5 Amp Resistive @ 480 Vac 20 Amp Ballast @ 277 Vac 16 Amp Electronic Ballast @ 277 Vac (N/O) 10 Amp Tungsten @ 120 Vac (N/O) 770 VA Pilot Duty @ 120 Vac 1,110 VA Pilot Duty @ 277 Vac 2 HP @ 277 Vac 1 HP @ 120 Vac

SELECTION GUIDE

Model #	Coil Current	Coil Voltage Input
RIB2401B	50 mA @ 18 Vac	24 Vac/dc ; 120 Vac ; 50-60 Hz Drop Out = 2.1 Vac / 3.8 Vdc Pull In = 18 Vac / 22 Vdc
	83 mA @ 24 Vac	
	47 mA @ 120 Vac	
	33 mA @ 22 Vdc	
	35 mA @ 24 Vdc	
RIB2402B	50 mA @ 18 Vac	24 Vac/dc ; 208-277 Vac ; 50-60 Hz Drop Out = 2.1 Vac / 3.8 Vdc Pull In = 18 Vac / 22 Vdc
	83 mA @ 24 Vac	
	69 mA @ 208-277 Vac	
	33 mA @ 22 Vdc	
	47 mA @ 30 Vdc	