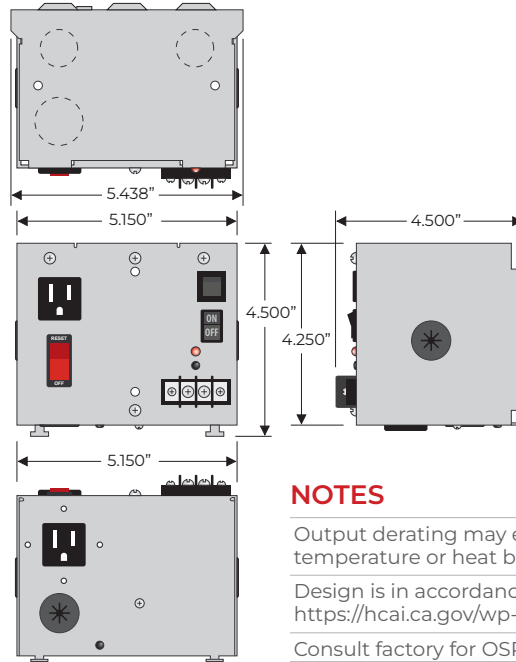
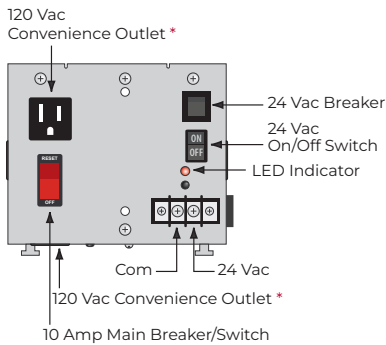


AC POWER SUPPLIES

PSH100A SERIES

Single 100 VA Power Supply, 120 to 24 Vac, UL Class 2, Metal Enclosure



PSH100AB10

NOTES

Output derating may exceed 20% due to elevated ambient temperature or heat buildup in device over time.

Design is in accordance with ASCE 7-05 Chapter 13: [^]
<https://hcai.ca.gov/wp-content/uploads/2020/10/OSP-0201.pdf>

Consult factory for OSP labeling

* Move internal jumper to "HOT" position if you wish outlets to always be hot otherwise outlets will be switched by main breaker.

SPECIFICATIONS

Transformer	One 100 VA Split-Bobbin	Input Wires	"B10" Models Only <u>Input Power Wires</u> BLK: 120 Vac WHT: Neutral GRN: Ground	All Other Models <u>Primary Wires</u> BLK: 120 Vac WHT: Common
Over Current Protection	Circuit Breaker		<u>Outlet Wires</u> BLK: 120 Vac WHT: Neutral GRN: Ground	
Frequency	50/60 Hz			
24 Vac ON/OFF	On / Off Switch & Breaker			
Main Breaker ON/OFF	Switch / Breaker (10 Amp) Kills power to entire unit: Outlets, Aux. Output, & Transformer* <i>Total Combined Output 9A</i>			
Max. Ambient Temperature	40° C			
Approvals	Class 2 (UL Approved UL5085-3), UL916, UL508, C-UL, CE, RoHS [^] Special Seismic Certification of Equipment and Components: OSP-0201-10	Output Wires	"B10" Models Only <u>Auxiliary Output</u> BLU: 120 Vac	"W" Models Only <u>Transformer Output</u> WHT/YEL: 24 Vac WHT/BLU: Common
Dimensions	4.500" H x 5.438" W x 4.500" D	Origin	Made of US and non-US parts	

SELECTION GUIDE

Model #	120 Vac Outlets	Aux Output Wire	Main Breaker on Input Power	Secondary Configuration
PSH100A	•		-	External Terminal Strip
PSH100AW	•		-	Internal Wires
PSH100AB10	•	•	10 Amp Switch / Breaker	External Terminal Strip
PSH100AWB10	•	•	10 Amp Switch / Breaker	Internal Wires