

Job Name:	
Order No.	

Submittal Data Sheet

PAS-18BUFASDQ1 / PPFC-B18UFA1DQ

18000 Btu/hr Ceiling System



Efficiency

Cooling		Heating	
SEER2	23.0	HSPF2	10
EER2	13.0	COP	3.9

Performance

Cooling (Btu/hr)

Cooling (Btu/hr)	
Rated (Min/Max)	18000(6100/20000)
Sensible@AHRI	13500
Operating Range	0°F~115°F

Indoor: 80°F DB/67°F WB

Outdoor: 95°F DB/75°F WB

Heating (Btu/hr)

1: @ 47° Rated (Min/Max)	20000(4100/23000)
2: @ 17° Rated	18000
3: @ 5° Max: Capacity / COP	14500/2.4
Operating Range	-13°F~75°F

Outdoor: 47°F DB/43°F WB

Indoor: 70°F DB/60°F WB

Outdoor: 17°F DB/15°F WB

Indoor: 70°F DB/60°F WB

Outdoor: 5°F DB/5°F WB

2: Rated Heating Conditions:

3: Heating Conditions; Compressor
Operating at Max Frequency:

Electrical

	208/60/1	230/60/1
System MCA	13.9	13.9
System MFA	20	20
Compressor RLA	7.7	7.7
Outdoor fan motor FLA	0.34	0.34
Outdoor fan motor W	80	80
Indoor fan motor FLA	0.56	0.56
Indoor fan motor W	100	100

MFA: Max. fuse amps MCA: Min. circuit amps (A) FLA: Full load amps (A)

RLA: Rated load amps (A) W: Fan motor rated output (W)

Piping

Liquid (in)	1/4
Gas (in)	1/2
Drain (in)	3/5
Max. Interunit Piping Length (ft)	164
Max. Interunit Height Difference (ft)	98.4
Chargeless (ft)	98.4
Additional Charge of Refrigerant (oz/ft)	0.194

Indoor Specifications

Airflow Rate (cfm)	Cooling		Heating	
	Hi2	Hi	Hi2	Hi
	M	L	M	L
	540	520	540	520
	460	400	460	400
Sound (dBA)	47		47	
Dimensions (W x H x D) (in)	[38-31/32]x[9-1/16]x[26-49/64]			
Airflow Inlet (H x W) (in)	-			
Weight (Lbs)	70.5			

Outdoor Specifications

Compressor	KTN150D42UFZD	
Refrigerant	R32	
Factory Charge (Lbs)	2.65	
Refrigerant Oil	ESTER OIL VG74	
Airflow Rate (cfm)	Cooling	Heating
	1980	1980
Sound Pressure Level (dBA)	55	
Dimensions (W x H x D) (in)	[35-7/16]x[26-3/16]x[12-19/32]	
Weight (Lbs)	98.8	

Recommended cable between Outdoor and Indoor 14AWG - 18AWG 4 conductors stranded copper wire and Power wiring cable size must comply with applicable national and local codes.

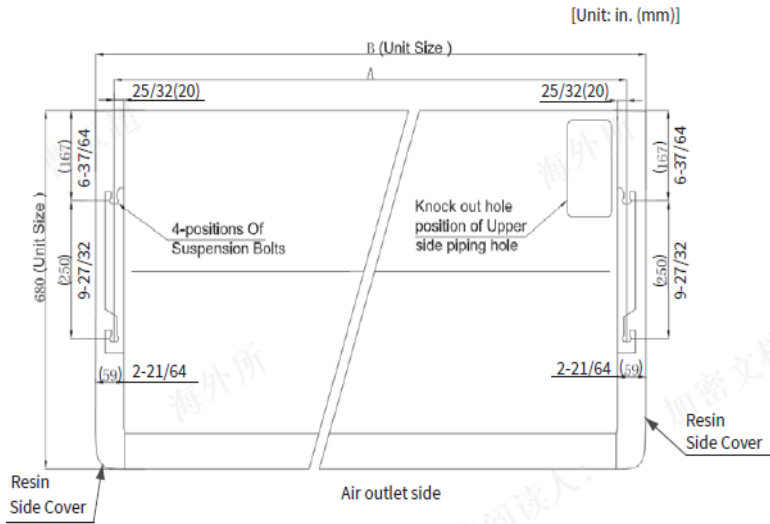
Optional Accessories

DESCRIPTION	PART NUMBER
Wired Remote Controller	CIW03-H
Wireless Remote Controller	PC-LH8QE (Included)
airCloud Adapter	GA-WFG-N
Mini Central Controller	CCM01
Large Central Controller	CCL01
Central Touchscreen Controller	CCXL02
5 Wire Thermostat Adapter	C3STAT01
5 Wire Thermostat, Wi-Fi, Modbus/Bacnet Adapter	C4STAT01
Remote Control Cable 16.4 ft	PRC-5K
Remote Control Cable 32.8 ft	PRC-10K
Remote Control Cable 49.2 ft	PRC-15K
Motion Sensor Kit	SOR-NEZ
IR Receiver	PI2303H
BACnet/Modbus Gateway	HBN200-PRO
Condensate Pump	DPWM-83819
Auxiliary Heat CN25 connector	PCC-CN1925-H
Remote Sensor	THM-R2A

Dimensional Data

INDOOR UNIT

Unit: Inch (mm)



Model (Btu/h)	A (in.(mm))	B (in.(mm))
9000-18000	35-29/32(912)	38- 31/32(990)
24000-48000	59-9/64(1502)	62-13/64(1580)

(1) Position of piping connection is shown in Fig.5.1.

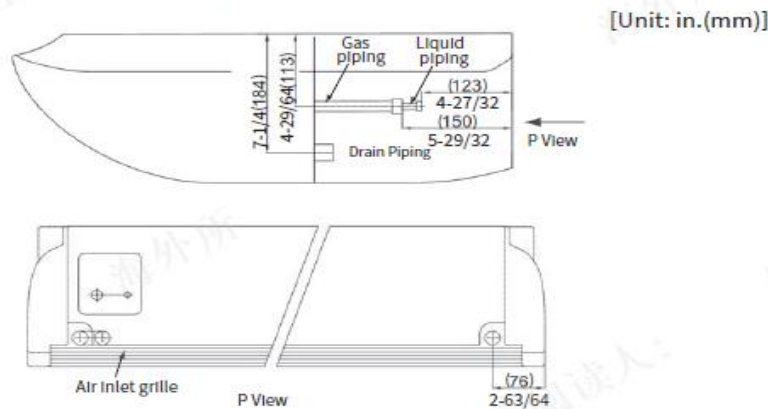
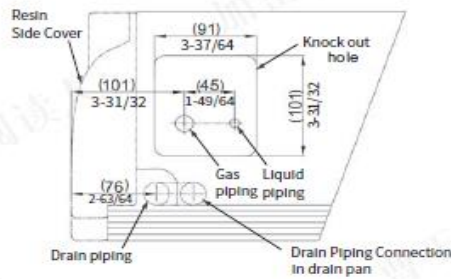


Fig.5.1 Piping Connection of Indoor Unit

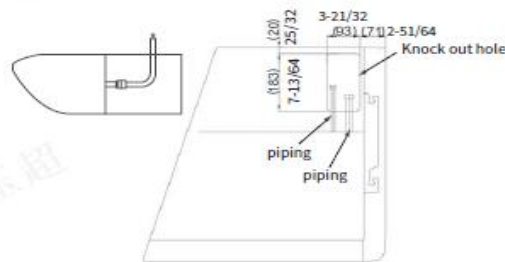
(a) Piping from Rear Side

[Unit: in.(mm)]



(b) Piping from Upper Side

[Unit: in.(mm)]

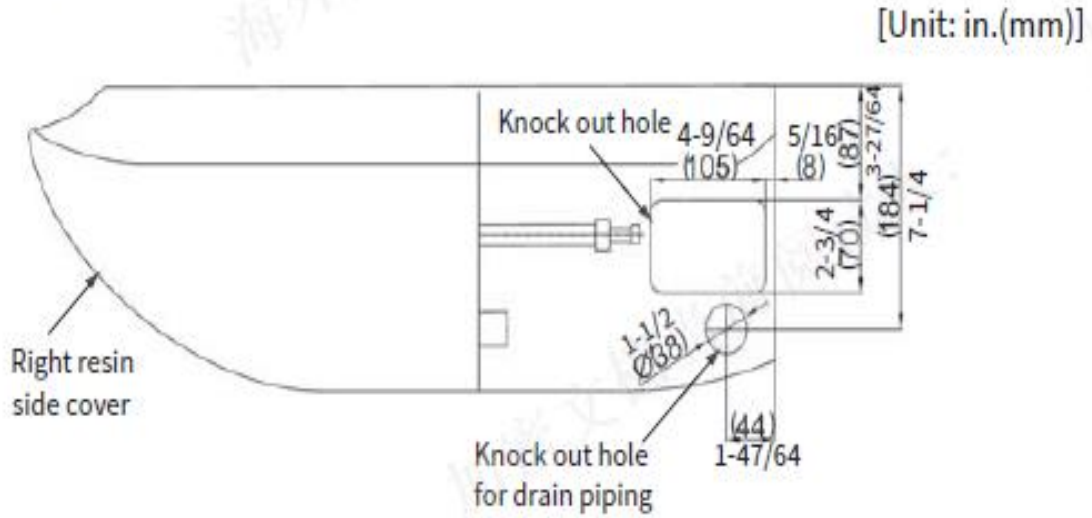


Dimensional Data

INDOOR UNIT

Unit: Inch (mm)

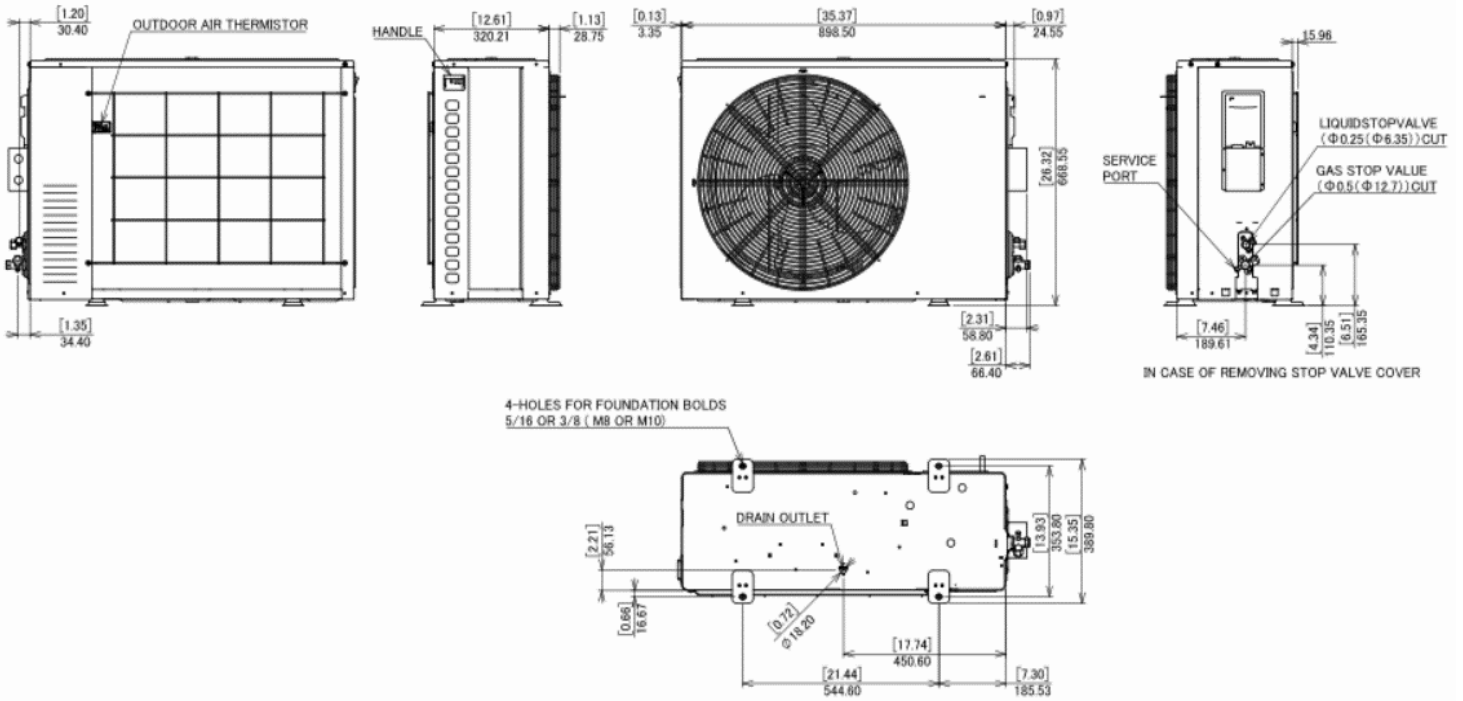
(c) Piping from Right Side Cover



Dimensional Data

OUTDOOR UNIT

Unit: Inch (mm)



MINIMUM SPACE FOR AIR PASSAGE

