

Job Name:	
Order No.	

Submittal Data Sheet

PAS-12BUFASDQ1 / PPFC-B12UFA1DQ

12000 Btu/hr Ceiling System



Efficiency

Cooling		Heating	
SEER2	22.0	HSPF2	9.8
EER2	13.5	COP	4

Performance

Cooling (Btu/hr)

Rated(Min/Max)	12000(3200/13800)
Sensible@AHRI	9600
Operating Range	0°F~115°F

Indoor: 80°F DB/67°F WB
Outdoor: 95°F DB/75°F WB

Heating (Btu/hr)

1:@ 47° Rated (Min/Max)	14000(3300/16700)
2: @ 17° Rated	12800
3: @ 5° Max: Capacity / COP	11000/2.22
Operating Range	-13°F~75°F

- 1: Rated Heating Conditions:** Indoor: 70°F DB/60°F WB
Outdoor: 47°F DB/43°F WB
- 2: Rated Heating Conditions:** Indoor: 70°F DB/60°F WB
Outdoor: 17°F DB/15°F WB
- 3: Heating Conditions; Compressor Operating at Max Frequency:** Indoor: 70°F DB/60°F WB
Outdoor: 5°F DB/5°F WB

Electrical

	208/60/1	230/60/1
System MCA	9.3	9.3
System MFA	15	15
Compressor RLA	6.3	6.3
Outdoor fan motor FLA	0.4	0.4
Outdoor fan motor W	40	40
Indoor fan motor FLA	0.55	0.55
Indoor fan motor W	100	100

MFA: Max. fuse amps **MCA:** Min. circuit amps (A) **FLA:** Full load amps (A)
RLA: Rated load amps (A) **W:** Fan motor rated output (W)

Piping

Liquid (in)	1/4
Gas (in)	1/2
Drain (in)	3/5
Max. Interunit Piping Length (ft)	164
Max. Interunit Height Difference (ft)	98.4
Chargeless (ft)	98.4
Additional Charge of Refrigerant (oz/ft)	0.194

Indoor Specifications

	Cooling		Heating	
	Hi2	Hi	Hi2	Hi
Airflow Rate (cfm)	450	390	450	390
	M	L	M	L
	320	275	320	275
Sound (dBA)	45		45	
Dimensions (W x H x D) (in)	[38-31/32]x[9-1/16]x[26-49/64]			
Airflow Inlet (H x W) (in)	-			
Weight (Lbs)	70.5			

Outdoor Specifications

Compressor	KSN108D32UFZR	
Refrigerant	R32	
Factory Charge (Lbs)	1.98	
Refrigerant Oil	POE VG75R	
Airflow Rate (cfm)	Cooling	Heating
	850	850
Sound Pressure Level (dBA)	55	
Dimensions (W x H x D) (in)	[31-57/64]x[23-1/32]x[11-1/32]	
Weight (Lbs)	77.2	

Recommended cable between Outdoor and Indoor 14AWG - 18AWG 4 conductors stranded copper wire and Power wiring cable size must comply with applicable national and local codes.

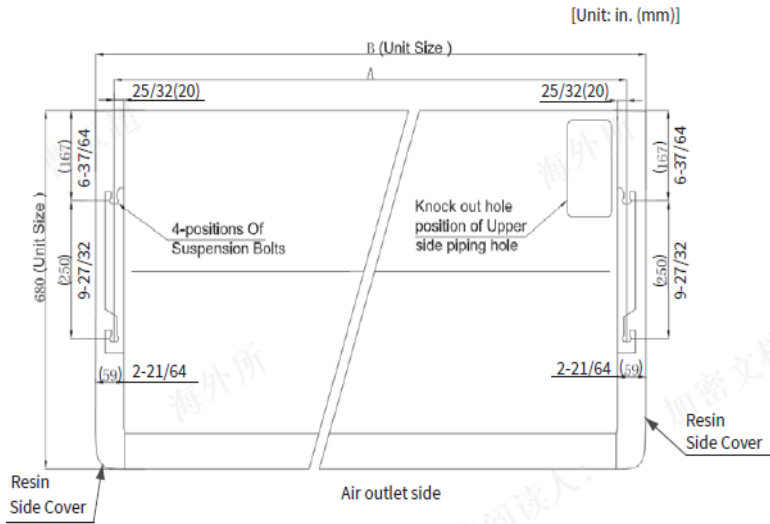
Optional Accessories

DESCRIPTION	PART NUMBER
Wired Remote Controller	CIW03-H
Wireless Remote Controller	PC-LH8QE (Included)
airCloud Adapter	GA-WFG-N
Mini Central Controller	CCM01
Large Central Controller	CCL01
Central Touchscreen Controller	CCXL02
5 Wire Thermostat Adapter	C3STAT01
5 Wire Thermostat, Wi-Fi, Modbus/Bacnet Adapter	C4STAT01
Remote Control Cable 16.4 ft	PRC-5K
Remote Control Cable 32.8 ft	PRC-10K
Remote Control Cable 49.2 ft	PRC-15K
Motion Sensor Kit	SOR-NEZ
IR Receiver	PI2303H
BACnet/Modbus Gateway	HBN200-PRO
Condensate Pump	DPWM-83819
Auxiliary Heat CN25 connector	PCC-CN1925-H
Remote Sensor	THM-R2A

Dimensional Data

INDOOR UNIT

Unit: Inch (mm)



Model (Btu/h)	A (in.(mm))	B (in.(mm))
9000-18000	35-29/32(912)	38- 31/32(990)
24000-48000	59-9/64(1502)	62-13/64(1580)

(1) Position of piping connection is shown in Fig.5.1.

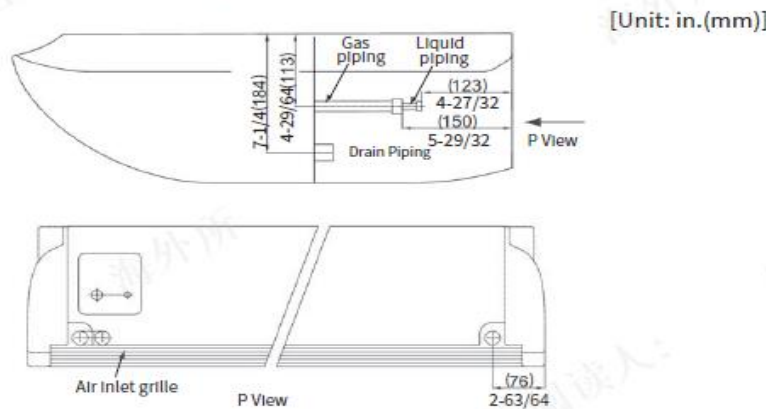
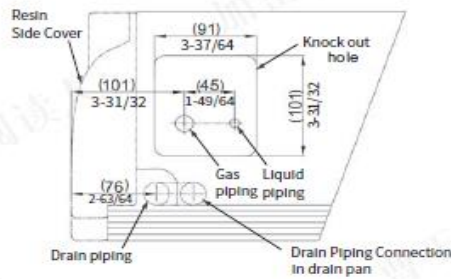


Fig.5.1 Piping Connection of Indoor Unit

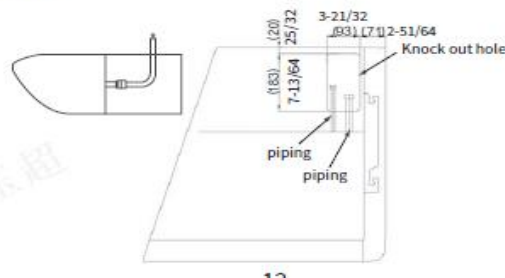
(a) Piping from Rear Side

[Unit: in.(mm)]



(b) Piping from Upper Side

[Unit: in.(mm)]

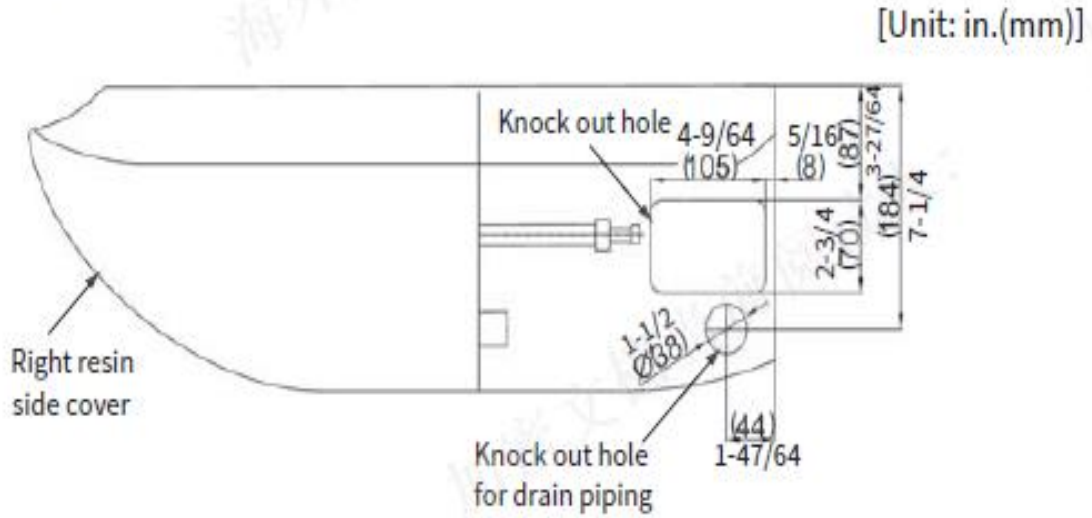


Dimensional Data

INDOOR UNIT

Unit: Inch (mm)

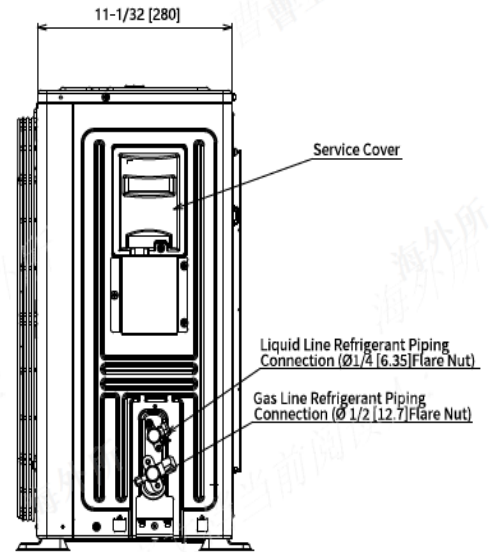
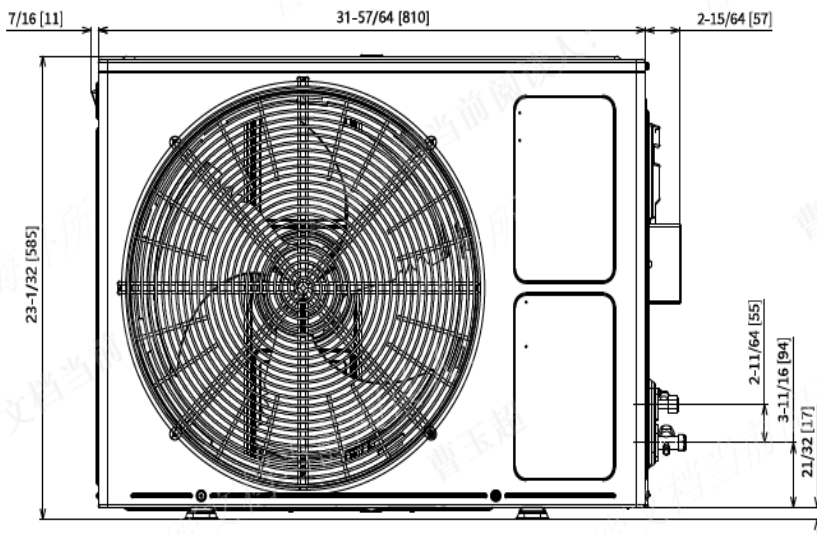
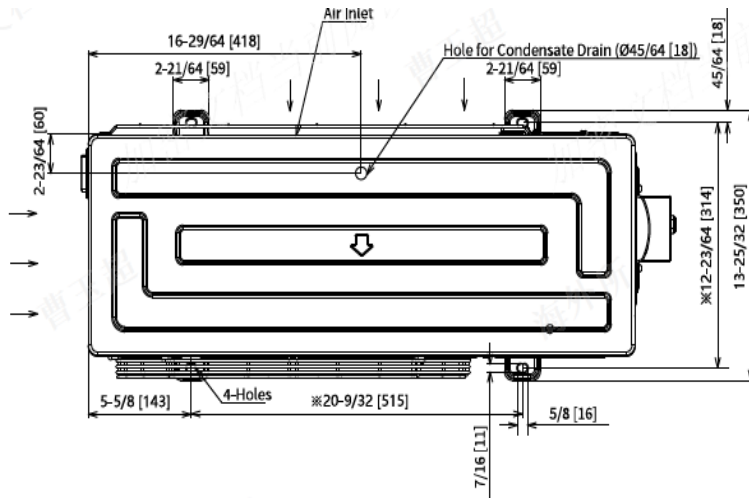
(c) Piping from Right Side Cover



Dimensional Data

OUTDOOR UNIT

Unit: Inch (mm)



MINIMUM SPACE FOR AIR PASSAGE

