

|           |  |
|-----------|--|
| Job Name: |  |
| Order No. |  |

## Submittal Data Sheet

PAS-36BUFASDQ1 / PPIM-B36UFA1DQ

36000 Btu/hr Horizontal Ducted Heat Pump System



### Efficiency

| Cooling |      | Heating |     |
|---------|------|---------|-----|
| SEER2   | 20.0 | HSPF2   | 9.8 |
| EER2    | 12.8 | COP     | 4.0 |

### Performance

#### Cooling (Btu/hr)

|                 |                    |
|-----------------|--------------------|
| Rated (Min/Max) | 36000(13700/41600) |
| Sensible @ AHRI | 28200              |
| Operating Range | 0°F~115°F          |

Indoor: 80°F DB/67°F WB

Outdoor: 95°F DB/75°F WB

#### Heating (Btu/hr)

|                             |                    |
|-----------------------------|--------------------|
| 1: @ 47° Rated (Min/Max)    | 38000(14300/45200) |
| 2: @ 17° Rated              | 34400              |
| 3: @ 5° Max: Capacity / COP | 32000/2.0          |
| Operating Range             | -13°F~75°F         |

#### 1: Rated Heating Conditions:

Indoor: 70°F DB/60°F WB

Outdoor: 47°F DB/43°F WB

#### 2: Rated Heating Conditions:

Indoor: 70°F DB/60°F WB

Outdoor: 17°F DB/15°F WB

#### 3: Heating Conditions; Compressor

Indoor: 70°F DB/60°F WB

#### Operating at Max Frequency:

Outdoor: 5°F DB/5°F WB

### Electrical

|                       | 208/60/1 | 230/60/1 |
|-----------------------|----------|----------|
| System MCA            | 18.5     | 18.5     |
| System MFA            | 40       | 40       |
| Compressor RLA        | 11.5     | 11.5     |
| Outdoor fan motor FLA | 0.62     | 0.62     |
| Outdoor fan motor W   | 138      | 138      |
| Indoor fan motor FLA  | 2.41     | 2.41     |
| Indoor fan motor W    | 375      | 375      |

MFA: Max. fuse amps MCA: Min. circuit amps (A) FLA: Full load amps (A)

RLA: Rated load amps (A)

W: Fan motor rated output (W)

### Piping

|  |       |
|--|-------|
| Liquid (in)                              | 3/8   |
| Gas (in)                                 | 5/8   |
| Drain (in)                               | 4/5   |
| Max. Interunit Piping Length (ft)        | 246   |
| Max. Interunit Height Difference (ft)    | 98.4  |
| Chargeless (ft)                          | 98.4  |
| Additional Charge of Refrigerant (oz/ft) | 0.376 |

### Indoor Specifications

| Airflow Rate (cfm)                | Cooling                          |     | Heating |     |
|-----------------------------------|----------------------------------|-----|---------|-----|
|                                   | H                                | M   | H       | M   |
|                                   | 1271                             | 953 | 1271    | 953 |
|                                   | L                                |     | L       |     |
|                                   | 829                              |     | 829     |     |
| Sound (dBA)                       | 45                               |     | 45      |     |
| Dimensions (H x W x D) (in)       | [11-13/16] X [55-1/8] X [31-1/2] |     |         |     |
| Airflow Inlet (H x W) (in)        | [10-3/32] X [53-3/64]            |     |         |     |
| Weight (Lbs)                      | 105.8                            |     |         |     |
| External Static Pressure (in. WC) | 0.8                              |     |         |     |

### Outdoor Specifications

|                             |                                  |         |
|-----------------------------|----------------------------------|---------|
| Compressor                  | ATH356SKRC9EQ                    |         |
| Refrigerant                 | R32                              |         |
| Factory Charge (Lbs)        | 5.73                             |         |
| Refrigerant Oil             | RmM68EA or equivalent            |         |
| Airflow Rate (cfm)          | Cooling                          | Heating |
|                             | 3035                             | 3035    |
| Sound Pressure Level (dBA)  | 57                               |         |
| Dimensions (W x H x D) (in) | [37-13/32]x[38-31/32]x[12-19/32] |         |
| Weight (Lbs)                | 199.2                            |         |

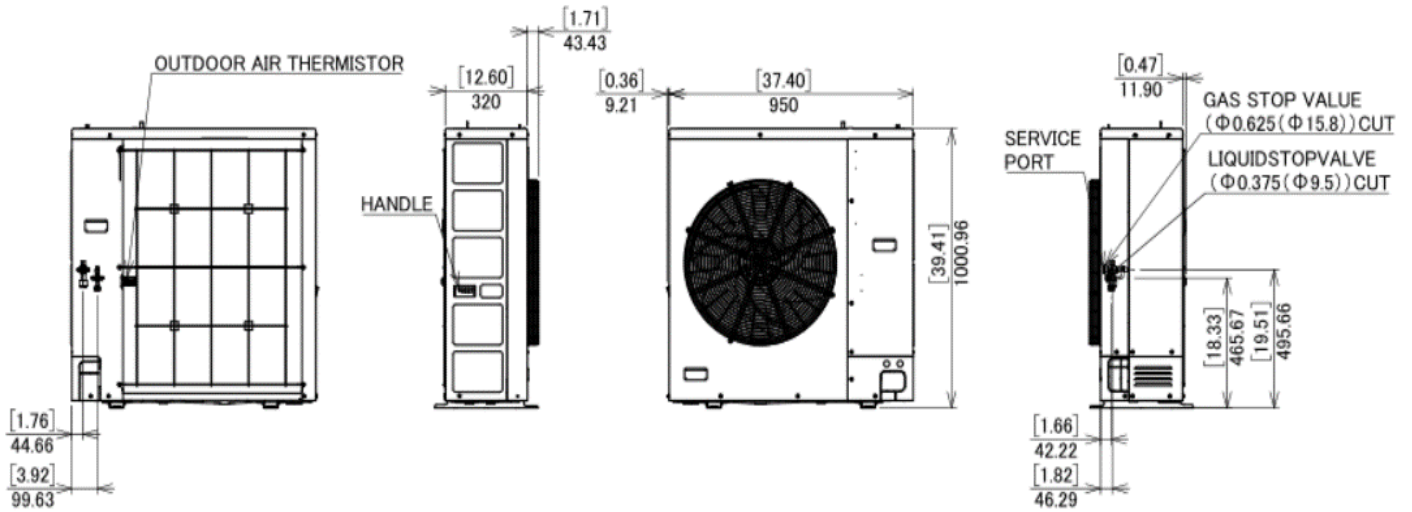
Communication cable between Outdoor and Indoor 16- 18 AWG 2 conductor copper stranded shielded wire. Power wiring cable must comply with NEC, local and state codes.

## Optional Accessories

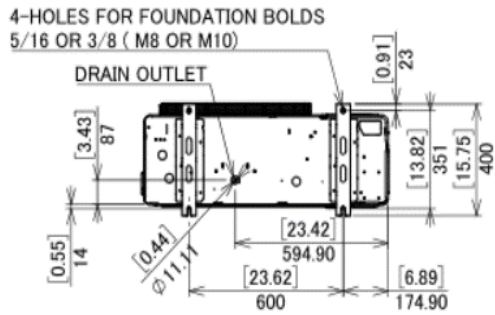
| <b>DESCRIPTION</b>                              | <b>PART NUMBER</b> |
|---|--------------------|
| Wired Remote Controller                         | CIW03-H            |
| Wireless Remote Controller                      | PC-LH8QE           |
| airCloud Adapter                                | GA-WFG-N           |
| Mini Central Controller                         | CCM01              |
| Large Central Controller                        | CCL01              |
| Central Touchscreen Controller                  | CCXL02             |
| 5 Wire Thermostat Adapter                       | C3STAT01           |
| 5 Wire Thermostat, Wi-Fi, Modbus/Bacnet Adapter | C4STAT01           |
| Remote Control Cable 16.4 ft                    | PRC-5K             |
| Remote Control Cable 32.8 ft                    | PRC-10K            |
| Remote Control Cable 49.2 ft                    | PRC-15K            |
| Motion Sensor Kit                               | SOR-NEZ            |
| Filter Box                                      | FB-48PIE           |
| IR Receiver                                     | PC-ALHZ5Q          |
| Nylon Mesh Filter                               | KW-PP10Q           |
| BACnet/Modbus Gateway                           | HBN200-PRO         |
| Condensate Pump                                 | Included           |
| Float Switch                                    | Included           |
| Auxiliary Heat CN25 connector                   | PCC-CN1925-H       |
| Remote Sensor                                   | THM-R2A            |
| Leak Sensor Kit                                 | RDS-PPIM-B30-48    |



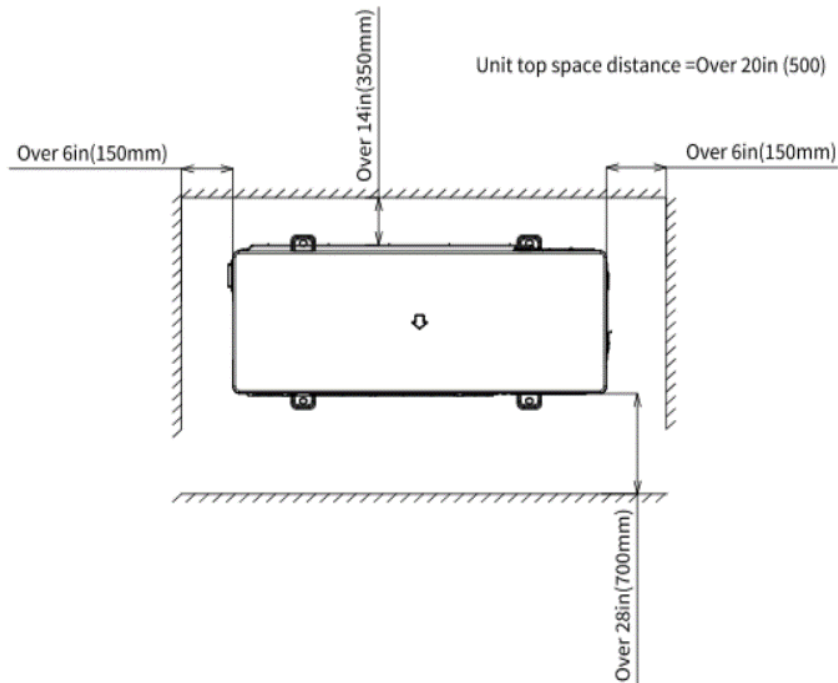
# Dimensional Data



IN CASE OF REMOVING STOP VALVE COVER

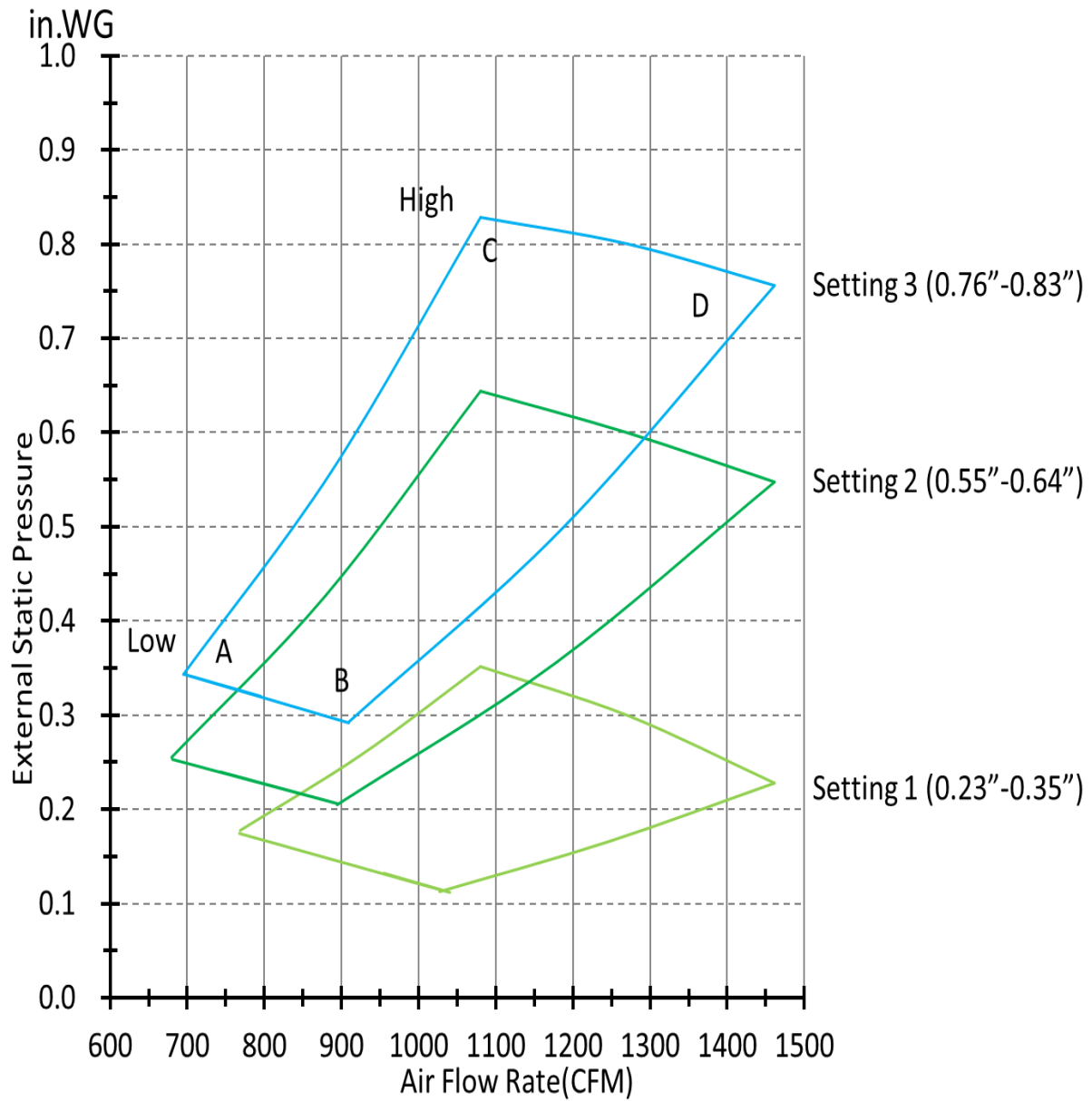


## MINIMUM SPACE FOR AIR PASSAGE



# External Static Pressure

P-Q Curve 36K



Fan Curve Data

| Indoor Unit<br>ESP Setting | Point A |      | Point B |     | Point C |      | Point D |      |
|----------------------------|---------|------|---------|-----|---------|------|---------|------|
|                            | "WC     | CFM  | "WC     | CFM | "WC     | CFM  | "WC     | CFM  |
| 1 (0.23"-0.35")            | 0.11    | 1034 | 0.13    | 955 | 0.35    | 1080 | 0.23    | 1461 |
| 2 (0.55"-0.64")            | 0.21    | 895  | 0.25    | 681 | 0.64    | 1080 | 0.55    | 1461 |
| 3 (0.76"-0.83")            | 0.29    | 910  | 0.34    | 699 | 0.83    | 1080 | 0.76    | 1461 |