

Job Name:	
Order No.	

HITACHI

Submittal Data Sheet

PAS-24BUFASDQ1/ PPIM-B24UFA1DQ

24000 Btu/hr Horizontal Ducted Heat Pump System



Efficiency

Cooling		Heating	
SEER2	20.0	HSPF2	9.6
EER2	12.7	COP	4.0

Performance

Cooling (Btu/hr)

Rated (Min/Max)	22000(9900/26300)
Sensible@AHRI	16300
Operating Range	0°F~115°F

Indoor: 80°F DB/67°F WB
Outdoor: 95°F DB/75°F WB

Heating (Btu/hr)

1: @ 47° Rated (Min/Max)	24000(8700/28000)
2: @ 17° Rated	21800
3: @ 5° Max: Capacity / COP	18700/2.2
Operating Range	-13°F~75°F

- 1: Rated Heating Conditions:** Indoor: 70°F DB/60°F WB
Outdoor: 47°F DB/43°F WB
- 2: Rated Heating Conditions:** Indoor: 70°F DB/60°F WB
Outdoor: 17°F DB/15°F WB
- 3: Heating Conditions; Compressor Operating at Max Frequency:** Indoor: 70°F DB/60°F WB
Outdoor: 5°F DB/5°F WB

Indoor Specifications

	Cooling		Heating	
	H	M	H	M
Airflow Rate (cfm)	782	600	782	600
	L		L	
	565		565	
Sound (dBA)	40		40	
Dimensions (H x W x D) (in)	[11-13/16] X [43-5/16] X [31-1/2]			
Airflow Inlet (H x W) (in)	[10-3/32] X [41-15/64]			
Weight (Lbs)	88.2			
External Static Pressure (in. WC)	0.8			

Outdoor Specifications

Compressor	KTM240D43UKT	
Refrigerant	R32	
Factory Charge (Lbs)	3.09	
Refrigerant Oil	ESTER OIL VG74	
	Cooling	Heating
Airflow Rate (cfm)	1980	1980
Sound Pressure Level (dBA)	57	
Dimensions (W x H x D) (in)	[35-7/16]x[26-3/16]x[12-19/32]	
Weight (Lbs)	104.5	

Electrical

	208/60/1	230/60/1
System MCA	14.3	14.3
System MFA	25	25
Compressor RLA	9.3	9.3
Outdoor fan motor FLA	0.34	0.34
Outdoor fan motor W	80	80
Indoor fan motor FLA	1.47	1.47
Indoor fan motor W	208	208

MFA: Max. fuse amps MCA: Min. circuit amps (A) FLA: Full load amps (A)
RLA: Rated load amps (A) W: Fan motor rated output (W)

Piping

Liquid (in)	1/4
Gas (in)	1/2
Drain (in)	3/5
Max. Interunit Piping Length (ft)	164
Max. Interunit Height Difference (ft)	98.4
Chargeless (ft)	98.4
Additional Charge of Refrigerant (oz/ft)	0.194

Communication cable between Outdoor and Indoor 16-18 AWG 2 conductor copper stranded shielded wire. Power wiring cable must comply with NEC, local and state codes.

Optional Accessories

DESCRIPTION	PART NUMBER
Wired Remote Controller	CIW03-H
Wireless Remote Controller	PC-LH8QE
airCloud Adapter	GA-WFG-N
Mini Central Controller	CCM01
Large Central Controller	CCL01
Central Touchscreen Controller	CCXL02
5 Wire Thermostat Adapter	C3STAT01
5 Wire Thermostat, Wi-Fi, Modbus/Bacnet Adapter	C4STAT01
Remote Control Cable 16.4 ft	PRC-5K
Remote Control Cable 32.8 ft	PRC-10K
Remote Control Cable 49.2 ft	PRC-15K
Motion Sensor Kit	SOR-NEZ
Filter Box	FB-30PIE
IR Receiver	PC-ALHZ5Q
Nylon Mesh Filter	KW-PP9Q
BACnet/Modbus Gateway	HBN200-PRO
Condensate Pump	Included
Float Switch	Included
Auxiliary Heat CN25 connector	PCC-CN1925-H
Remote Sensor	THM-R2A

Dimensional Data

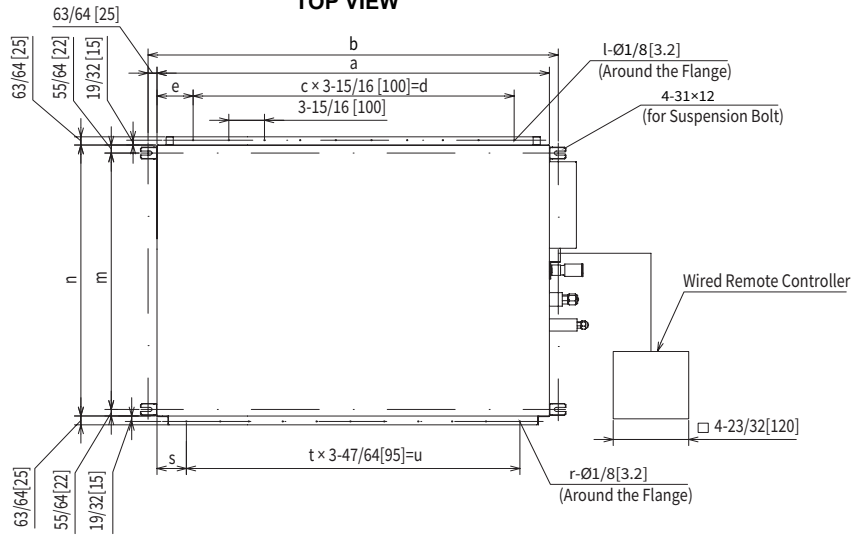
Indoor Units

< MESP Ducted Type >

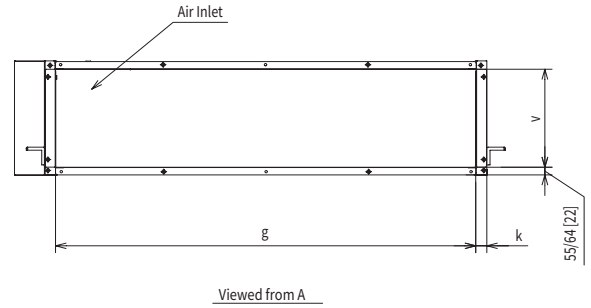
Models: PPIM-B18~48UFA1DQ

Unit: in. [mm]

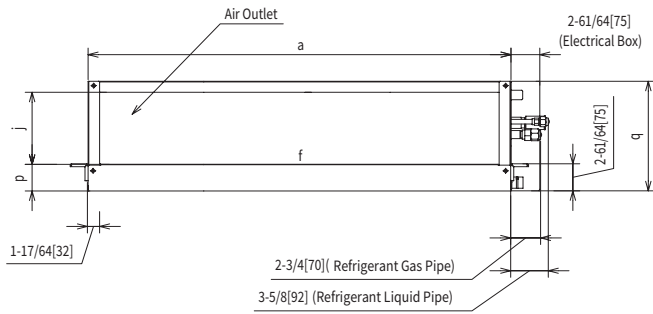
TOP VIEW



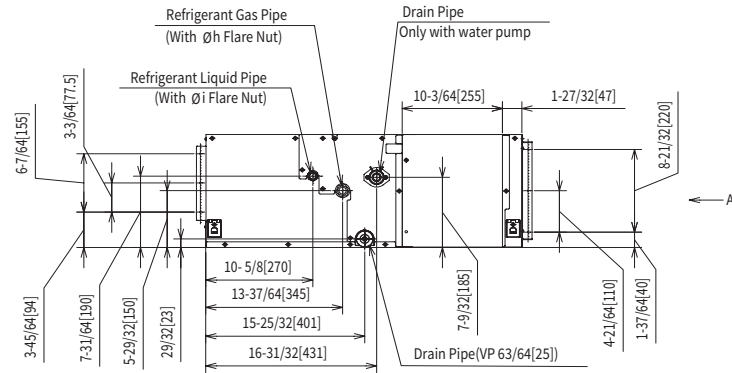
BACK VIEW



FRONT VIEW



SIDE VIEW



Model Capacity [Btu/h]	a	b	c*	d	e	f	g	h	i	j	k
18K	43-5/16 [1100]	45-9/32 [1150]	10	39-3/8 [1000]	1-31/32 [50]	40-25/32 [1036]	41-7/32 [1047]	1/2 [12.7]	1/4 [6.35]	7-23/32 [196]	1-1/32 [26]
24K	43-5/16 [1100]	45-9/32 [1150]	10	39-3/8 [1000]	1-31/32 [50]	40-25/32 [1036]	41-7/32 [1047]	1/2 [12.7]	1/4 [6.35]	7-23/32 [196]	1-1/32 [26]
30K	43-5/16 [1100]	45-9/32 [1150]	10	39-3/8 [1000]	1-31/32 [50]	40-25/32 [1036]	41-7/32 [1047]	5/8 [15.88]	3/8 [9.53]	7-23/32 [196]	1-1/32 [26]
36K	55-1/8 [1400]	57-3/32 [1450]	12	47-1/4 [1200]	3-55/64 [98]	52-19/32 [1336]	53-1/32 [1347]	5/8 [15.88]	3/8 [9.53]	7-23/32 [196]	1-1/32 [26]
48K	55-1/8 [1400]	57-3/32 [1450]	12	47-1/4 [1200]	3-55/64 [98]	52-19/32 [1336]	53-1/32 [1347]	5/8 [15.88]	3/8 [9.53]	7-23/32 [196]	1-1/32 [26]

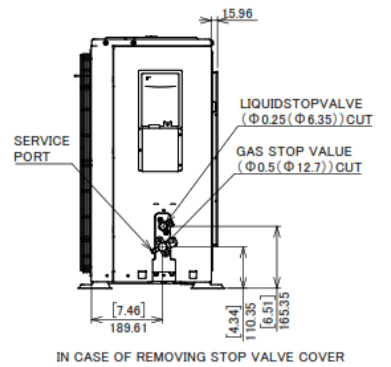
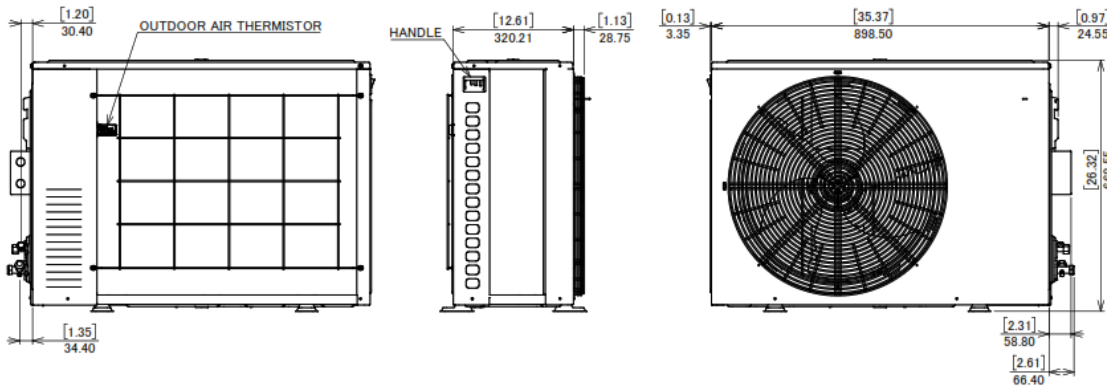
Model Capacity [Btu/h]	l	m	n	p	q	r	s	t*	u	v
18K	1-1/32 [26]	29-49/64 [756]	31-1/2 [800]	2-7/8 [73]	11-13/16 [300]	1-1/32 [26]	2-23/32 [69]	10 [950]	37-13/32 [950]	10-5/64 [256]
24K	1-1/32 [26]	29-49/64 [756]	31-1/2 [800]	2-7/8 [73]	11-13/16 [300]	1-1/32 [26]	2-23/32 [69]	10 [950]	37-13/32 [950]	10-5/64 [256]
30K	1-1/32 [26]	29-49/64 [756]	31-1/2 [800]	2-7/8 [73]	11-13/16 [300]	1-1/32 [26]	2-23/32 [69]	10 [950]	37-13/32 [950]	10-5/64 [256]
36K	1-17/64 [32]	29-49/64 [756]	31-1/2 [800]	2-7/8 [73]	11-13/16 [300]	1-11/32 [34]	3-15/64 [82]	13 [1235]	48-5/8 [1235]	10-5/64 [256]
48K	1-17/64 [32]	29-49/64 [756]	31-1/2 [800]	2-7/8 [73]	11-13/16 [300]	1-11/32 [34]	3-15/64 [82]	13 [1235]	48-5/8 [1235]	10-5/64 [256]

* The number of c and t represents the quantity.

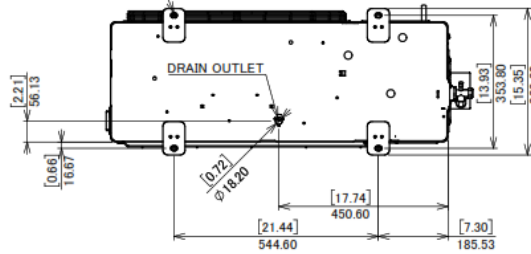
Dimensional Data

OUTDOOR UNIT

Unit: Inch (mm)

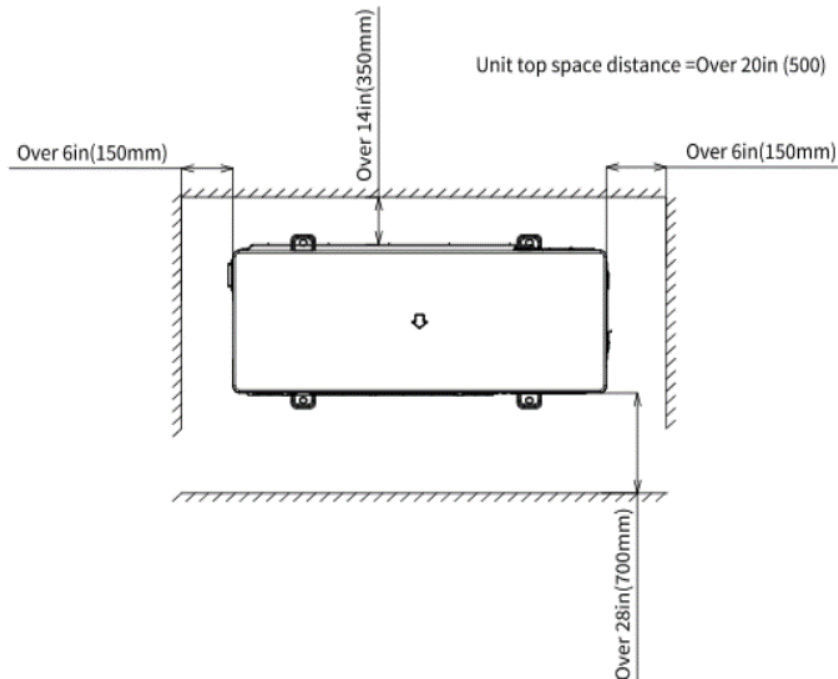


4-HOLES FOR FOUNDATION BOLDS
5/16 OR 3/8 (M8 OR M10)

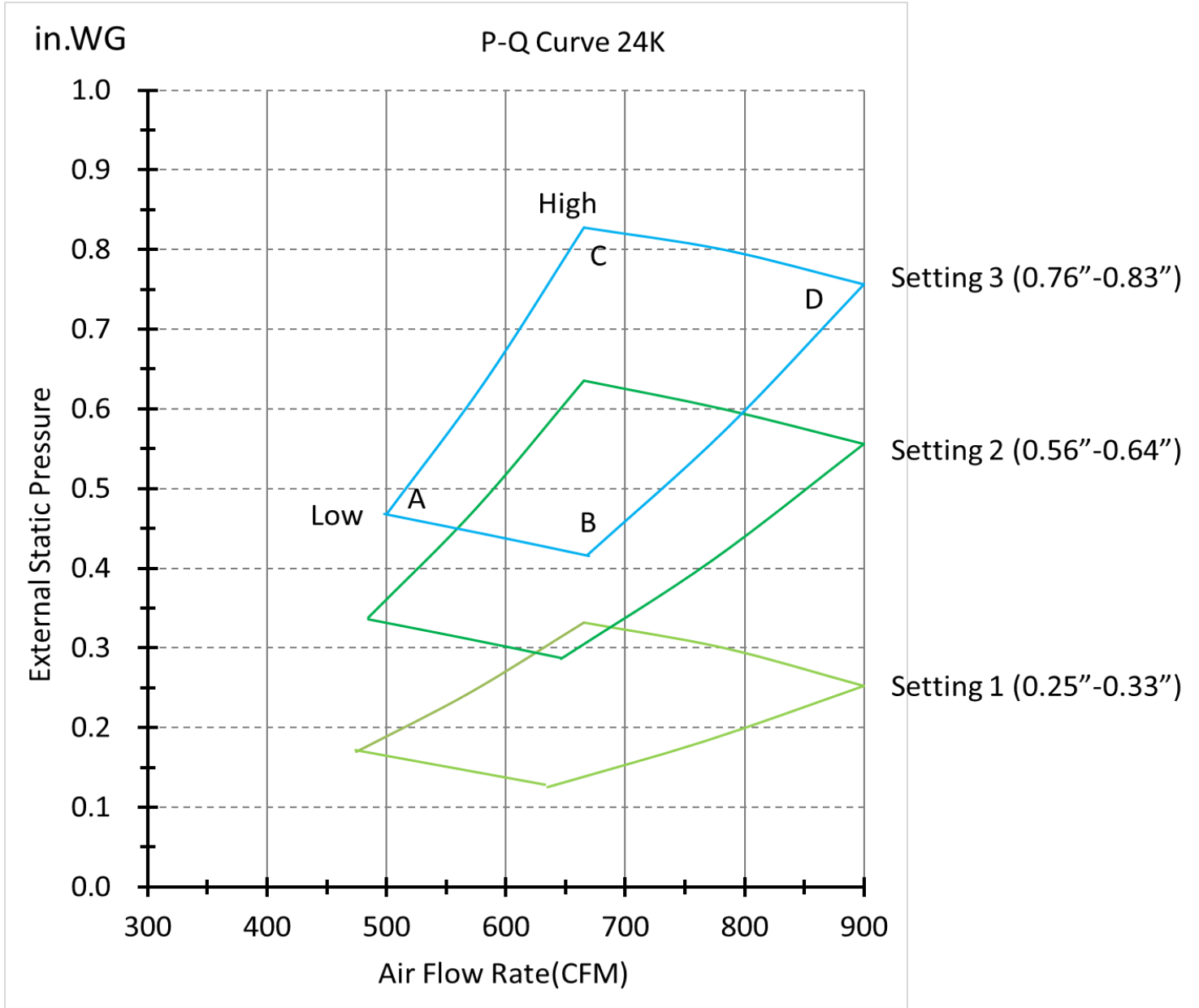


D/E框

MINIMUM SPACE FOR AIR PASSAGE



External Static Pressure



Fan Curve Data

Indoor Unit ESP Setting	Point A		Point B		Point C		Point D	
	"WC	CFM	"WC	CFM	"WC	CFM	"WC	CFM
1 (0.25"-0.33")	0.17	474	0.13	633	0.33	665	0.25	900
2 (0.56"-0.64")	0.34	485	0.29	646	0.64	665	0.56	900
3 (0.76"-0.83")	0.47	498	0.42	669	0.83	665	0.76	900