

Job Name:	
Order No.	

Submittal Data Sheet

PAS-12BUFASDQ1 / PPIM-B12UFA1DQ

12000 Btu/hr Horizontal Ducted Heat Pump System



Efficiency

Cooling		Heating	
SEER2	20.5	HSPF2	9.8
EER2	12.5	COP	3.7

Performance

Cooling (Btu/hr)

Rated (Min/Max)	12000(3200/13800)
Sensible@AHRI	9300
Operating Range	0°F~115°F

Indoor: 80°F DB/67°F WB
Outdoor: 95°F DB/75°F WB

Heating (Btu/hr)

1: @ 47° Rated (Min/Max)	14000(3300/17100)
2: @ 17° Rated	13300
3: @ 5° Max: Capacity / COP	10800/2.09
Operating Range	-13°F~75°F

- 1: Rated Heating Conditions:** Indoor: 70°F DB/60°F WB
Outdoor: 47°F DB/43°F WB
- 2: Rated Heating Conditions:** Indoor: 70°F DB/60°F WB
Outdoor: 17°F DB/15°F WB
- 3: Heating Conditions; Compressor Operating at Max Frequency:** Indoor: 70°F DB/60°F WB
Outdoor: 5°F DB/5°F WB

Indoor Specifications

	Cooling		Heating	
	H	M	H	M
Airflow Rate (cfm)	450	335	450	335
	L		L	
	280		280	
Sound (dBA)	40		40	
Dimensions (W x H x D) (in)	[25-19/32(+2-61/64)] X [10-5/8] X [28-11/32]			
Airflow Inlet (H x W) (in)	[8-55/64] X [23-55/64]			
Weight (Lbs)	88.2			
External Static Pressure (in. WC)	0.6			

Outdoor Specifications

Compressor	KSN108D32UFZR	
Refrigerant	R32	
Factory Charge (Lbs)	1.98	
Refrigerant Oil	POE VG75R	
Airflow Rate (cfm)	Cooling	Heating
	850	850
Sound Pressure Level (dBA)	55	
Dimensions (W x H x D) (in)	[31-57/64]x[23-1/32]x[11-1/32]	
Weight (Lbs)	77.2	

Electrical

	208/60/1	230/60/1
System MCA	9.3	9.3
System MFA	15	15
Compressor RLA	6.3	6.3
Outdoor fan motor FLA	0.4	0.4
Outdoor fan motor W	40	40
Indoor fan motor FLA	1.23	1.23
Indoor fan motor W	150	150

MFA: Max. fuse amps **MCA:** Min. circuit amps (A) **FLA:** Full load amps (A)
RLA: Rated load amps (A) **W:** Fan motor rated output (W)

Piping

Liquid (in)	1/4
Gas (in)	1/2
Drain (in)	3/5
Max. Interunit Piping Length (ft)	164
Max. Interunit Height Difference (ft)	98.4
Chargeless (ft)	98.4
Additional Charge of Refrigerant (oz/ft)	0.194

Recommended cable between Outdoor and Indoor 14AWG - 18AWG 4 conductors stranded copper wire and Power wiring cable size must comply with applicable national and local codes.

Optional Accessories

DESCRIPTION	PART NUMBER
Wired Remote Controller	CIW03-H
Wireless Remote Controller	PC-LH8QE
airCloud Adapter	GA-WFG-N
Mini Central Controller	CCM01
Large Central Controller	CCL01
Central Touchscreen Controller	CCXL02
5 Wire Thermostat Adapter	C3STAT01
5 Wire Thermostat, Wi-Fi, Modbus/Bacnet Adapter	C4STAT01
Remote Control Cable 16.4 ft	PRC-5K
Remote Control Cable 32.8 ft	PRC-10K
Remote Control Cable 49.2 ft	PRC-15K
Motion Sensor Kit	SOR-NEZ
Filter Box	FB-12PIE
IR Receiver	PC-ALHZ5Q
Nylon Mesh Filter	KW-PP7Q
BACnet/Modbus Gateway	HBN200-PRO
Condensate Pump	Included
Float Switch	Included
Auxiliary Heat CN25 connector	PCC-CN1925-H
Remote Sensor	THM-R2A

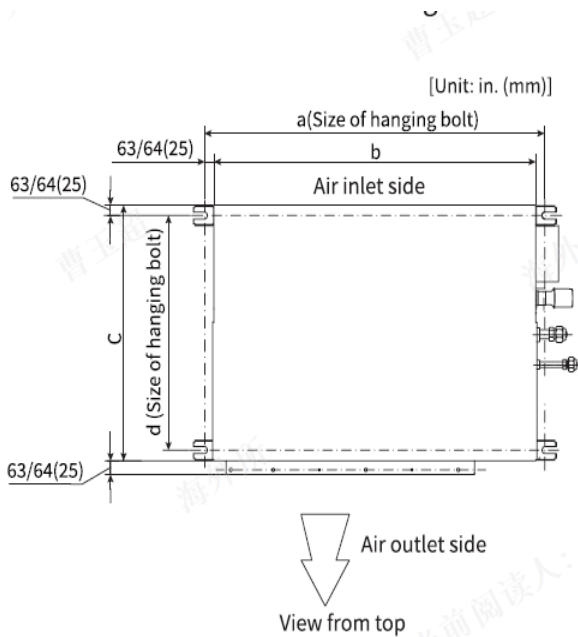
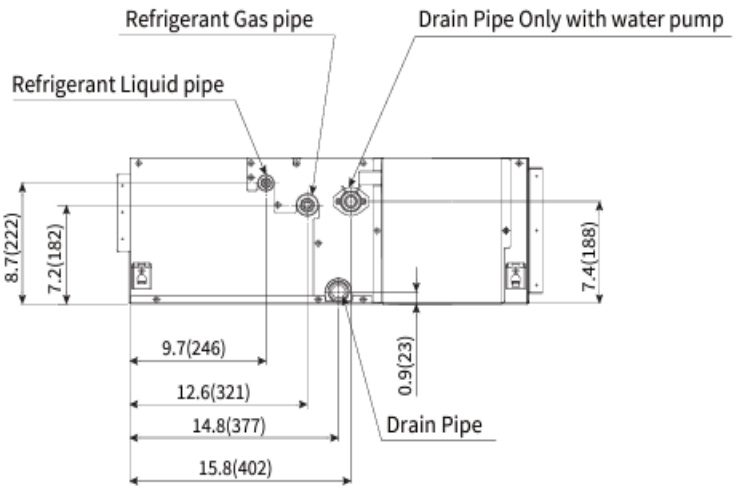
Dimensional Data

INDOOR UNIT

Unit: Inch (mm)

[Unit: in. (mm)]

9000~18000Btu/h :



Size [Unit: in. (mm)]

Indoor Unit Capacity (Btu/h)	a	b	c	d	h
9000~12000	27-9/16 (700)	25-19/32 (650)	28-11/32 (720)	26-39/64 (676)	10-5/8 (270)
18000~30000	45-9/32 (1150)	43-5/16 (1100)	31-1/2 (800)	29-49/64 (756)	11-13/16 (300)
36000~48000	57-3/32 (1450)	55-1/8 (1400)	31-1/2 (800)	29-49/64 (756)	11-13/16 (300)

Model	Flange Dimension (H x W, in(mm))	
	Air-return Inlet	Air-discharge Outlet
PPIM-B09UFA1DQ	8-55/64 x 23-55/64	5-7/16 x 22-29/32
PPIM-B12UFA1DQ	(225.2 x 606)	(138 x 582)
PPIM-B18UFA1DQ	10-7/32 x 41-19/64 (259.6 x 1049)	7-49/64 x 40-55/64 (197.2 x 1038)
PPIM-B24UFA1DQ		
PPIM-B30UFA1DQ		
PPIM-B36UFA1DQ	10-7/32 x 53-7/64 (259.6 x 1349)	7-49/64 x 52-43/64 (197.2 x 1338)
PPIM-B48UFA1DQ		

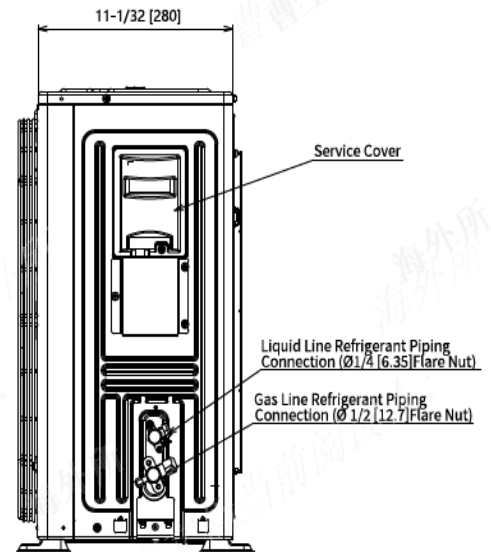
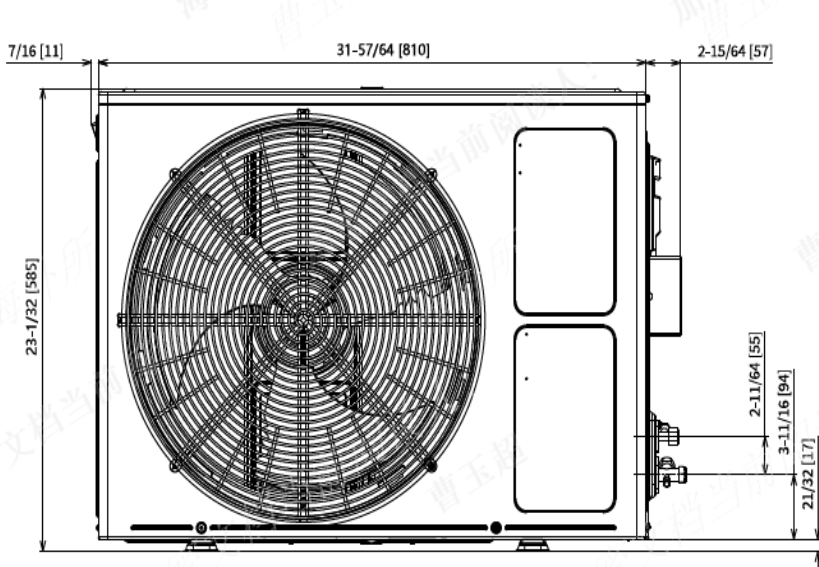
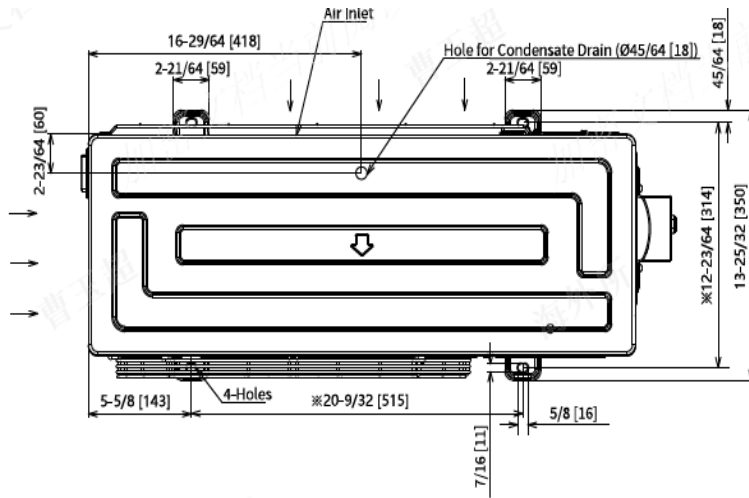
NOTE:

- There is 3/64in(1mm) manufacturing tolerance in H dimension, and 5/64in(2mm) manufacturing tolerance in W dimension.

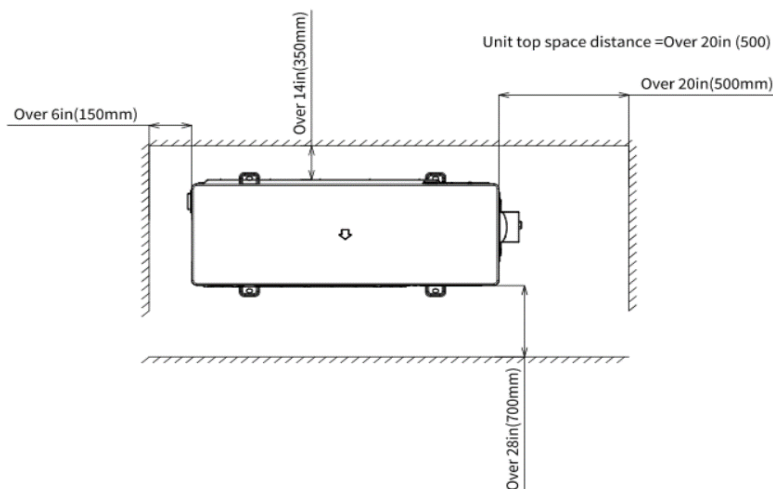
Dimensional Data

OUTDOOR UNIT

Unit: Inch (mm)



MINIMUM SPACE FOR AIR PASSAGE



External Static Pressure

