

Job Name	
Order No.	

# HITACHI

<b>Submittal Data Sheet</b>	RAF-FJ12QHAA
12,000 Btu/hr Floor Mounted Indoor Unit	



<b>Indoor Specifications</b>				
Airflow Rate (cfm)	Cooling		Heating	
	H	M	H	M
	375	303.6	392.9	321.4
	L	SL	L	SL
232.1	160.7	250	178.6	
Sound (dBA) H / M / SL		Cooling	Heating	
		39/31/22	41/31/23	
Dimensions (W x H x D) (in)		29.5 x 23.2 x 8.6		
Weight (Lbs)		32.4		
Nominal Capacity (Btu/hr)		12,000		

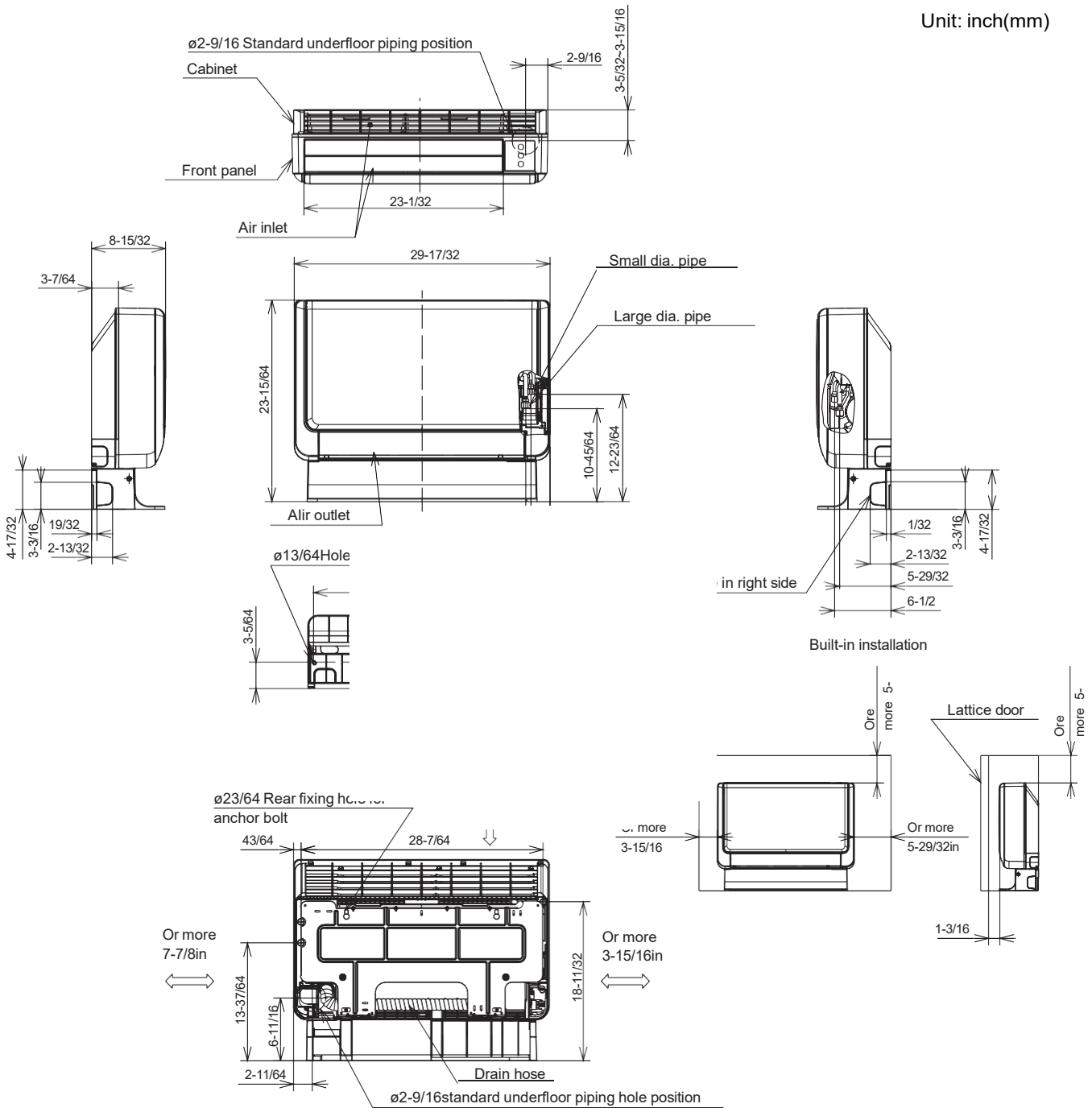
<b>Electrical</b>		
	Cooling	Heating
Running Current (Rated) (A)	0.35	
Power Consumption (Rated) (W)	Refer to Outdoor	

<b>Piping</b>	
Liquid (in)	1/4
Gas (in)	3/8
Drain (in)	0.63

Recommended cable between Outdoor and Indoor 14AWG - 18AWG 4 conductors stranded copper wire and Power wiring cable size must comply with applicable national and local codes.

<b>Optional Accessories:</b>	
Description	Part Number
Remote Controller (Included)	RAF-FJ07QHAA005
Remote Controller French	RAF-FJ07QHAA018
Wired Controller	SPX-URFG1
Wi-Fi Adapter	SPX-WFA01
H-Link Adapter IDU	PSC-6RAD
Adapter for Wired Remote Group Controller	SPX-DST1
26.2 ft (8m) Wire Cable for Distributor SPX-DST1	SPX-WDST8M
Dry Contact	SPX-WDC3
ON/OFF Status and Alarm Signal	SPX-WDC8

Unit: inch(mm)



Recommended cable between Outdoor and Indoor 14AWG - 18AWG 4 conductors stranded copper wire and Power wiring cable size must comply with applicable national and local codes.