

Job Name	
Order No.	

HITACHI

Submittal Data Sheet	RAC-XJ24WHAA / RAK-XJ24PHAA
24,000 Btu/hr Wall Mounted Heat Pump System	



Indoor Specifications				
Airflow Rate (cfm)	Cooling		Heating	
	Hi2	M	Hi2	M
	600	500	700	580
Sound (dBA)	L		L	
	300		350	
Dimensions (W x H x D) (in)	43.3 x 11.8 x 10.2			
Airflow Inlet (H x W) (in)	4.4 x 36.8			
Weight (Lbs)	33.1			

Outdoor Specifications		
Compressor	TD226UKPA8LT6C	
Refrigerant	R32	
Factory Charge (Lbs)	4.85	
Refrigerant Oil	ACS-68R(770±20ml)	
Airflow Rate (cfm)	Cooling	Heating
	2,555	2,555
Sound Pressure Level (dBA)	54	
Dimensions (W x H x D) (in)	37.4 x 37.2 x 14.6	
Weight (lbs)	168	

Recommended cable between Outdoor and Indoor 14AWG - 18AWG 4 conductors stranded copper wire and Power wiring cable size must comply with applicable national and local codes.

Efficiency			
Cooling		Heating	
SEER2	21	HSPF2	11
EER2	12.5	COP	4

Performance	
Cooling(Btu/hr)	
Rated(Min/Max)	22,000(9,000/28,000)
Sensible @AHRI	22,000
Operating Range	-5°F~114.8°F

Indoor: 80°F DB/67°F WB
Outdoor: 95°F DB/75°F WB

Heating(Btu/hr)	
1: @ 47° Rated (Min/Max)	25,400(13,000/34,000)
2: @ 17° Rated	16,000
3: @ -5° Max: Capacity / COP	25,500/2.13
Operating Range	-22°F~75.2°F

1: Rated Heating Conditions: Indoor: 70°F DB/60°F WB
Outdoor: 47°F DB/43°F WB
2: Rated Heating Conditions: Indoor: 70°F DB/60°F WB
Outdoor: 17°F DB/15°F WB
3: Heating Conditions; Compressor Operating at Max Frequency: Indoor: 70°F DB/60°F WB
Outdoor: 5°F DB/5°F WB

Electrical		
	208/60/1	230/60/1
System MCA	20	20
System MFA	35	35
Compressor RLA	7.4	7.2
Outdoor fan motor FLA	8.8	8.8
Outdoor fan motor W	120	120
Indoor fan motor FLA	0.7	0.7
Indoor fan motor W	38	38

MFA: Max. fuse amps MCA: Min. circuit amps (A) FLA: Full load amps (A)
RLA: Rated load amps (A) W: Fan motor rated output (W)

Piping	
Liquid (in)	3/8
Gas (in)	5/8
Drain (in)	5/8
Max. Interunit Piping Length (ft)	164
Max. Interunit Height Difference (ft)	98
Chargeless (ft)	49
Additional Charge of Refrigerant (oz/ft)	0.27

Optional Accessories:

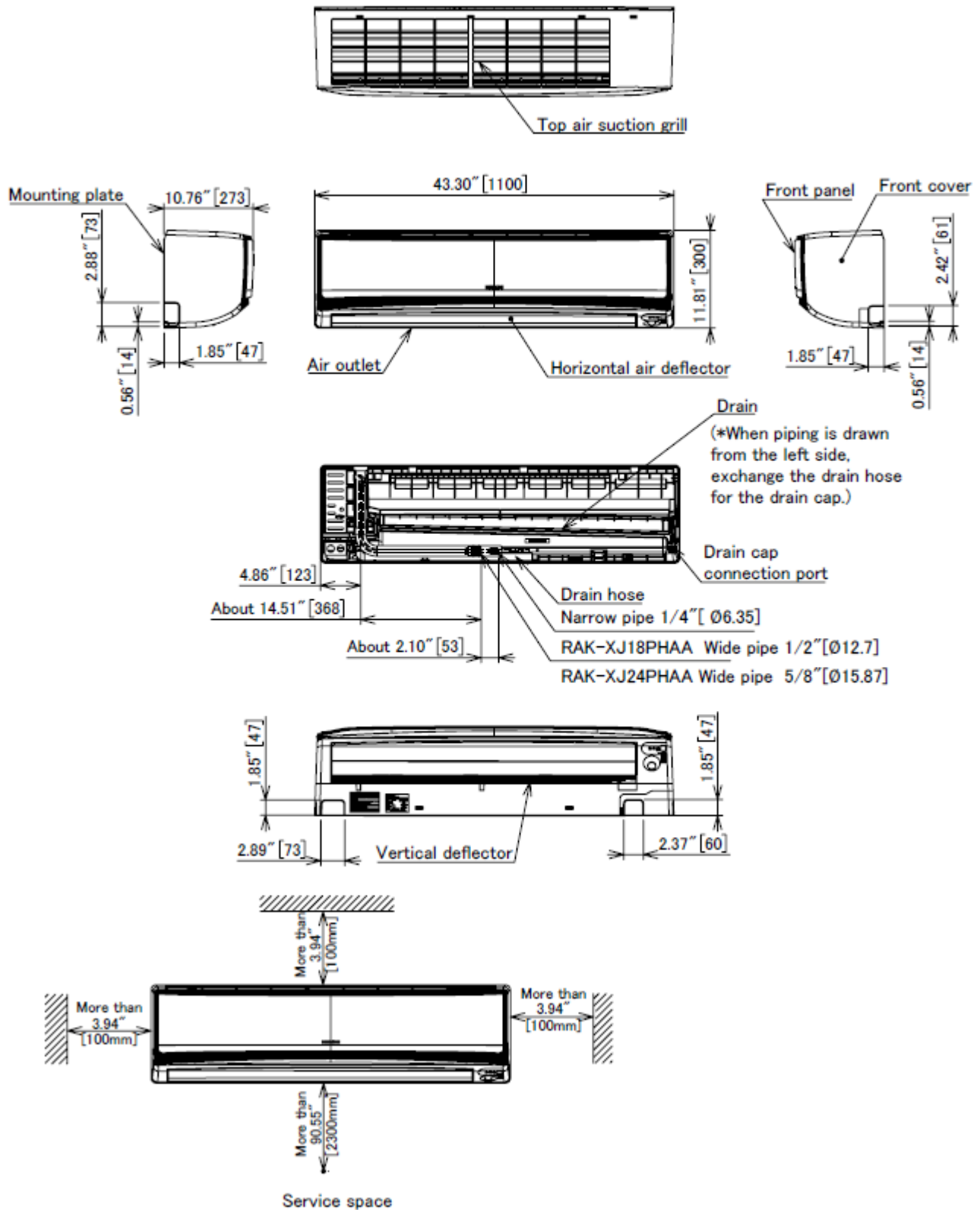
Description	Part Number
Remote Controller (Included) -HN1	PMK-XJ09PHAAR05
Remote Control Support (Included)	PMK-DJ09PHAAR06
Remote Controller French - HN3	PMK-XJ09PHAAR95
Wired Controller	SPX-URFG1
16.4 ft (5m) wire cable for SPX-URFG1	SPX-WKT5M
Wi-Fi Adapter	SPX-WFA01
H-Link Adapter IDU	PSC-6RAD
Adapter for Wired Remote Group Controller	SPX-DST1
26.2 ft (8m) Wire Cable for Distributor SPX-DST1	SPX-WDST8M
Dry Contact	SPX-WDC3
ON/OFF Status and Alarm Signal	SPX-WDC8
Mini Aqua Univolt 100V – 250V	DPWM-83819
Condenser Stand	DL87743
Condenser Wall Bracket	DL87733
Test Switch Jig	PMRAC-X40G2 501

Dimensional Data:

Indoor Unit:

MODEL : RAK-XJ18PHAA , RAK-XJ24PHAA

UNIT: Inch(mm)

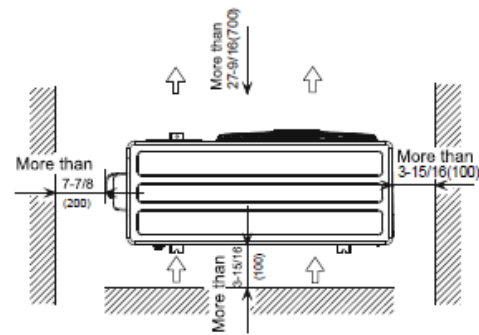
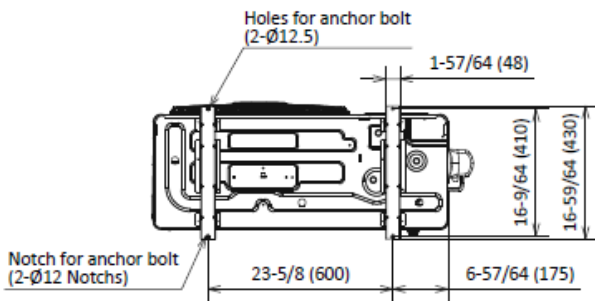
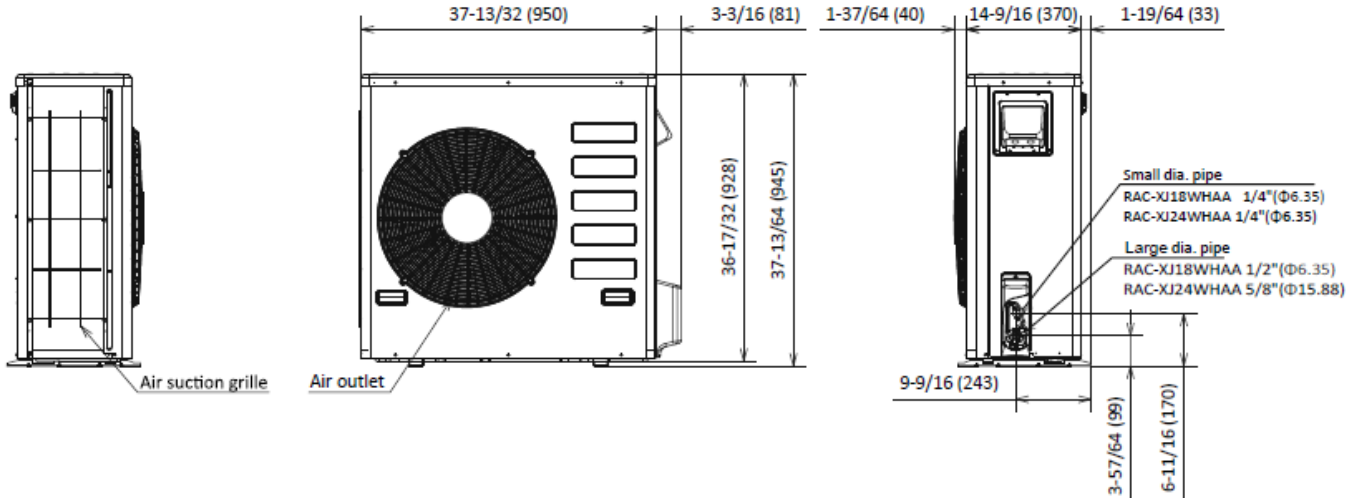


Outdoor Unit:

OUTDOOR UNIT

MODEL : RAC-XJ18WHAA, RAC-XJ24WHAA

Unit: Inch (mm)



Service space