

Job Name	
Order No.	

# HITACHI

<b>Submittal Data Sheet</b>	PAS-09BUFASDQ1 / PPK-B09UFA1DQ
9,000 Btu/hr Wall Mount Heat Pump System	



### Efficiency

Cooling		Heating	
SEER2	22.0	HSPF2	10
EER2	15.0	COP	3.8

### Performance

Cooling(Btu/hr)	
Rated(Min/Max)	9000(3100/12300)
Sensible @AHRI	7387.2
Operating Range	0°F~115°F

Indoor: 80°F DB/67°F WB  
Outdoor: 95°F DB/75°F WB

Heating(Btu/hr)	
1: @ 47° Rated (Min/Max )	11000(3300/14200)
2: @ 17° Rated	8000
3: @ 5° Max: Capacity / COP	7700/1.9
Operating Range	-13°F~75°F

1: Rated Heating Conditions: Indoor: 70°F DB/60°F WB  
Outdoor: 47°F DB/43°F WB  
2: Rated Heating Conditions: Indoor: 70°F DB/60°F WB  
Outdoor: 17°F DB/15°F WB  
3: Heating Conditions; Compressor Operating at Max Frequency: Indoor: 70°F DB/60°F WB  
Outdoor: 5°F DB/5°F WB

### Electrical

	208/60/1	230/60/1
System MCA	9.3	9.3
System MFA	15	15
Compressor RLA	6.3	6.3
Outdoor fan motor FLA	0.4	0.4
Outdoor fan motor W	40	40
Indoor fan motor FLA	0.26	0.26
Indoor fan motor W	25	25

MFA: Max. fuse amps MCA: Min. circuit amps (A) FLA: Full load amps (A)  
RLA: Rated load amps (A) W: Fan motor rated output (W)

### Piping

Liquid (in)	1/4
Gas (in)	1/2
Drain (in)	3/5
Max. Interunit Piping Length (ft)	164
Max. Interunit Height Difference (ft)	98.4
Chargeless (ft)	98.4
Additional Charge of Refrigerant (oz/ft)	0.194

Indoor Specifications				
Airflow Rate (cfm)	Cooling		Heating	
	Hi2	Hi	Hi2	Hi
	350	290	350	290
	M	L	M	L
	255	220	255	220
Sound (dBA)	42		42	
Dimensions (H x W x D) (in)	[10-5/8]x[36-1/16]x[8-17/64]			
Airflow Inlet (H x W) (in)	[6-19/64]x[23-31/32]			
Weight (Lbs)	19.8			

Outdoor Specifications		
Compressor	KSN108D32UFZR	
Refrigerant	R32	
Factory Charge (Lbs)	1.98	
Refrigerant Oil	POE VG75R	
Airflow Rate (cfm)	Cooling	Heating
	850	850
Sound Pressure Level (dBA)	55	
Dimensions (W x H x D) (in)	[31-57/64]x[23-1/32]x[11-1/32]	
Weight (lbs)	77.2	

Recommended cable between Outdoor and Indoor 14AWG - 18AWG 4 conductors stranded copper wire and Power wiring cable size must comply with applicable national and local codes.

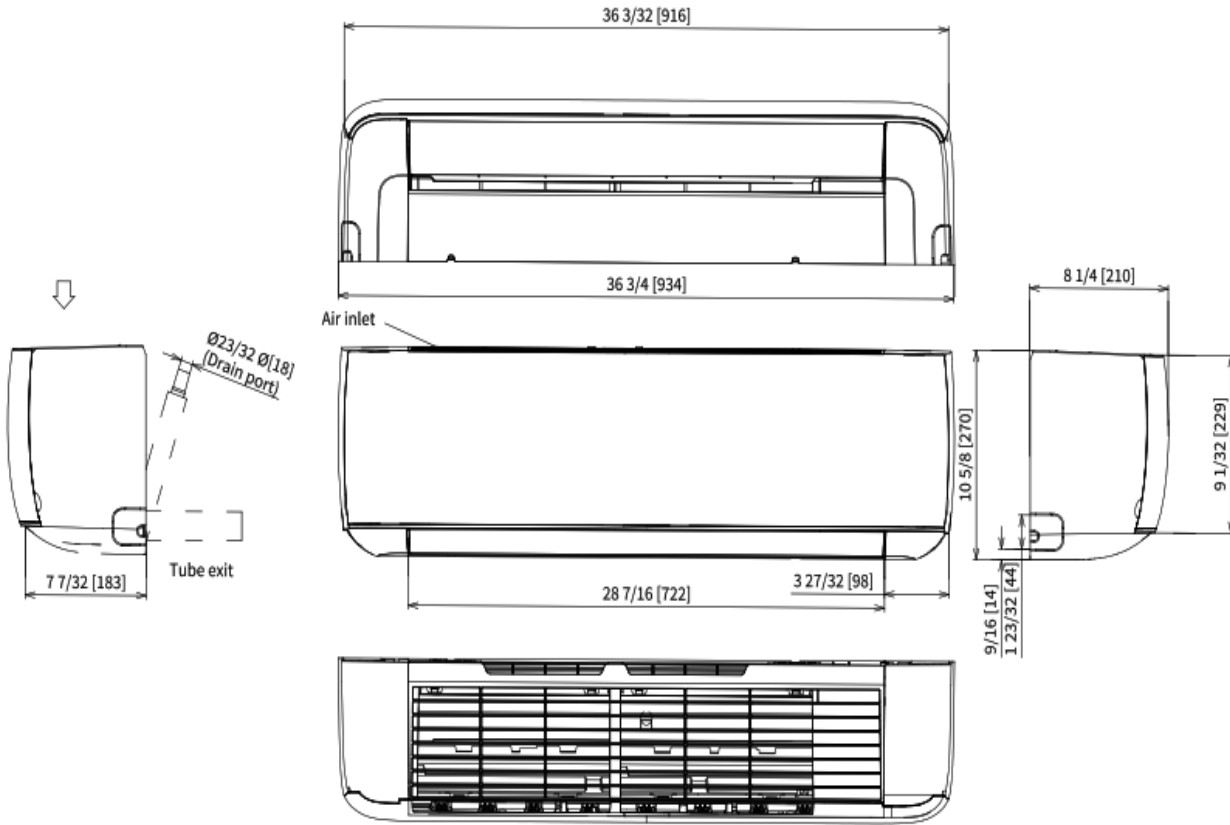
## Optional Accessories:

DESCRIPTION	PART NUMBER
Wired Remote Controller	CIW03-H
Wireless Remote Controller	PC-LH8QE
airCloud Adapter	GA-WFG-N
Mini Central Controller	CCM01
Large Central Controller	CCL01
Central Touchscreen Controller	CCXL02
5 Wire Thermostat Adapter	C3STAT01
5 Wire Thermostat, Wi-Fi, Modbus/Bacnet Adapter	C4STAT01
Remote Control Cable 16.4 ft	PRC-5K
Remote Control Cable 32.8 ft	PRC-10K
Remote Control Cable 49.2 ft	PRC-15K
Motion Sensor Kit	SOR-NEZ
BACnet/Modbus Gateway	HBN200-PRO
Condensate Pump	DPWM-83819
Auxiliary Heat CN25 connector	PCC-CN1925-H
Remote Sensor	THM-R2A

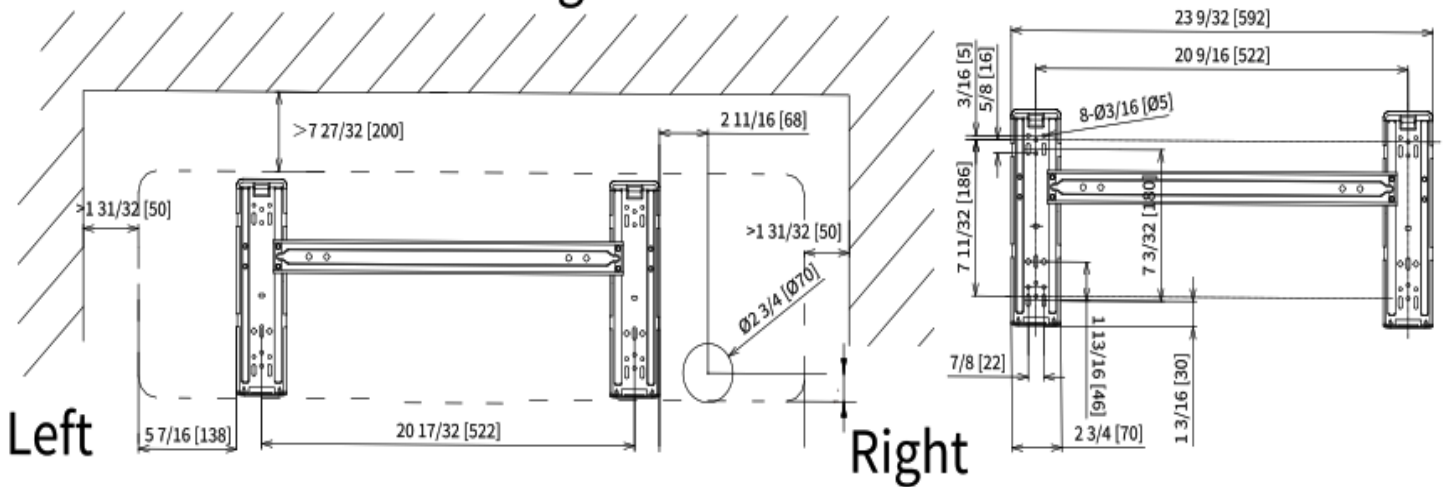
# Dimensional Data:

## Indoor Unit:

PPK-B09UFA1DQ



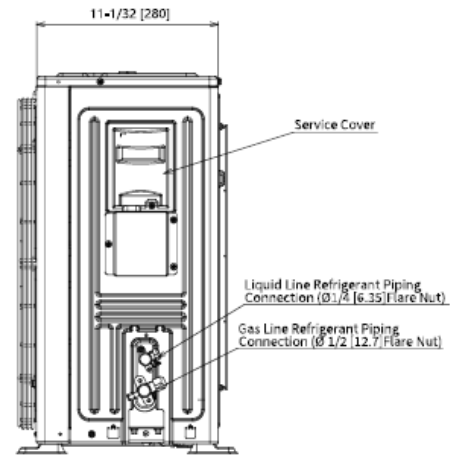
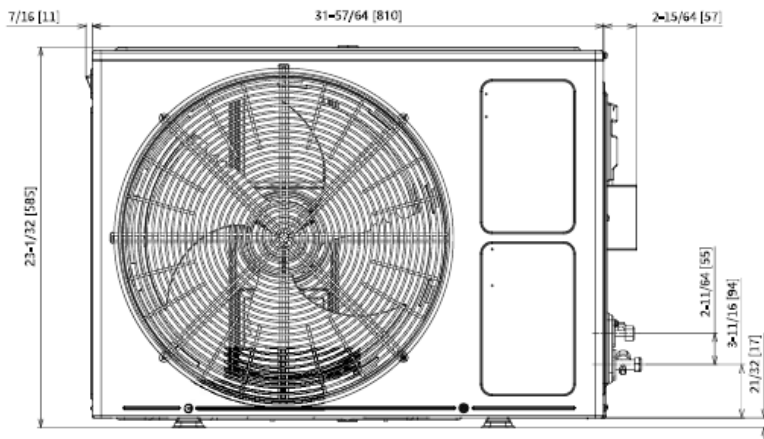
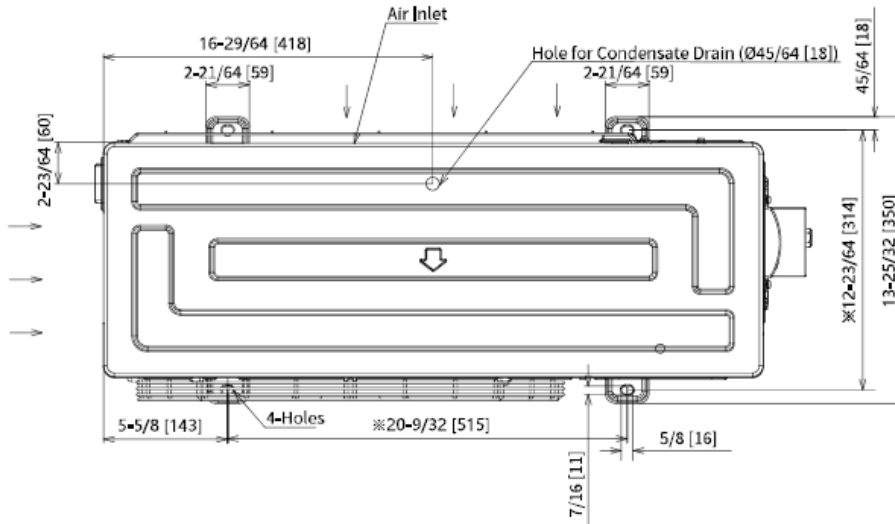
## Ceiling



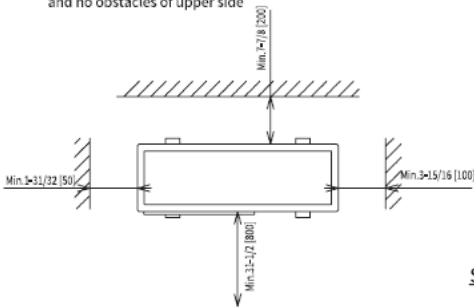
# Outdoor Unit:

Models: PAS-09~12BUFASDQ1

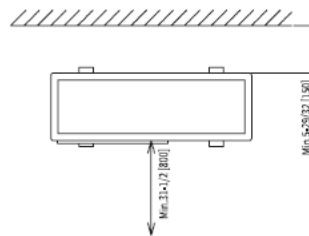
Unit: in. [mm]



- In case of obstacles on both sides, and no obstacles of upper side



- In case of NO obstacles on both sides, and no obstacles of upper side



Service Space

**NOTES:**

1. Refrigerant is factory charged for actual piping length and no additional charge less than 118-7/64 inches(3000mm) is required in the field. Additional charge more than 118-7/64 inches(3000mm) is required in the field.
2. The dimension marked with ※ indicates the mounting pitch dimension for anchor bolts.

**Drain Water**

Drain water is caused during a defrosting operation.

1. Choose a place where well drainage is available. Provide a groove for drain.
2. Do not provide an upward slope from the unit to avoid reverse flow of the drain. Provide a second drain pan under the outdoor unit to collect drain water securely.