

Job Name:	
Order No.	

## Submittal Data Sheet

PAS-30BUFASDQ1 / PPFC-B30UFA1DQ

30000 Btu/hr Ceiling System



### Efficiency

Cooling		Heating	
SEER2	19.6	HSPF2	10.0
EER2	12.0	COP	4.1

### Performance

#### Cooling (Btu/hr)

Rated(Min/Max)	30000(13000/35300)
Sensible@AHRI	23600
Operating Range	0°F~115°F

Indoor: 80°F DB/67°F WB  
Outdoor: 95°F DB/75°F WB

#### Heating (Btu/hr)

1: @ 47° Rated (Min/Max )	32000(14400/39300)
2: @ 17° Rated	28000
3: @ 5° Max: Capacity / COP	26000/2.5
Operating Range	-13°F~75°F

- 1: Rated Heating Conditions:** Indoor: 70°F DB/60°F WB  
Outdoor: 47°F DB/43°F WB
- 2: Rated Heating Conditions:** Indoor: 70°F DB/60°F WB  
Outdoor: 17°F DB/15°F WB
- 3: Heating Conditions; Compressor Operating at Max Frequency:** Indoor: 70°F DB/60°F WB  
Outdoor: 5°F DB/5°F WB

### Electrical

	208/60/1	230/60/1
System MCA	15.7	15.7
System MFA	40	40
Compressor RLA	11.5	11.5
Outdoor fan motor FLA	0.62	0.62
Outdoor fan motor W	138	138
Indoor fan motor FLA	0.56	0.56
Indoor fan motor W	181	181

**MFA:** Max. fuse amps **MCA:** Min. circuit amps (A) **FLA:** Full load amps (A)  
**RLA:** Rated load amps (A) **W:** Fan motor rated output (W)

### Indoor Specifications

	Cooling		Heating	
	Hi2	Hi	Hi2	Hi
Airflow Rate (cfm)	1010	940	1010	940
	M	L	M	L
	820	740	820	740
Sound (dBA)	50		50	
Dimensions (W x H x D) (in)	[62-13/64]x[9-1/16]x[26-49/64]			
Airflow Inlet (H x W) (in)	-			
Weight (Lbs)	121			

### Outdoor Specifications

Compressor	ATH356SKRC9EQ	
Refrigerant	R32	
Factory Charge (Lbs)	5.73	
Refrigerant Oil	RmM68EA or equivalent	
Airflow Rate (cfm)	Cooling	Heating
	3035	3035
Sound Pressure Level (dBA)	57	
Dimensions (W x H x D) (in)	[37-13/32]x[38-31/32]x[12-19/32]	
Weight (Lbs)	199.2	

### Piping

Liquid (in)	3/8
Gas (in)	5/8
Drain (in)	4/5
Max. Interunit Piping Length (ft)	246
Max. Interunit Height Difference (ft)	98.4
Chargeless (ft)	98.4
Additional Charge of Refrigerant (oz/ft)	0.194

Recommended cable between Outdoor and Indoor 14AWG - 18AWG 4 conductors stranded copper wire and Power wiring cable size must comply with applicable national and local codes.

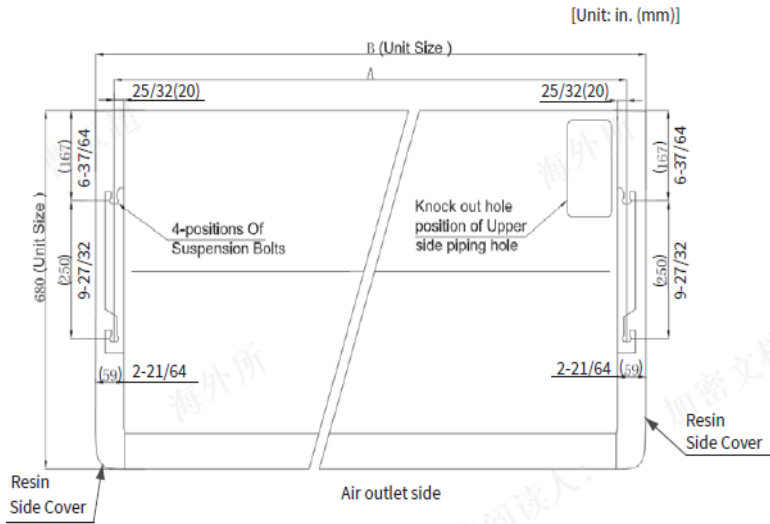
## Optional Accessories

<b>DESCRIPTION</b>	<b>PART NUMBER</b>
Wired Remote Controller	CIW03-H
Wireless Remote Controller	PC-LH8QE (Included)
airCloud Adapter	GA-WFG-N
Mini Central Controller	CCM01
Large Central Controller	CCL01
Central Touchscreen Controller	CCXL02
5 Wire Thermostat Adapter	C3STAT01
5 Wire Thermostat, Wi-Fi, Modbus/Bacnet Adapter	C4STAT01
Remote Control Cable 16.4 ft	PRC-5K
Remote Control Cable 32.8 ft	PRC-10K
Remote Control Cable 49.2 ft	PRC-15K
Motion Sensor Kit	SOR-NEZ
IR Receiver	PI2303H
BACnet/Modbus Gateway	HBN200-PRO
Condensate Pump	DPWM-83819
Auxiliary Heat CN25 connector	PCC-CN1925-H
Remote Sensor	THM-R2A

# Dimensional Data

INDOOR UNIT

Unit: Inch (mm)



Model (Btu/h)	A (in.(mm))	B (in.(mm))
9000-18000	35-29/32(912)	38- 31/32(990)
24000-48000	59-9/64(1502)	62-13/64(1580)

(1) Position of piping connection is shown in Fig.5.1.

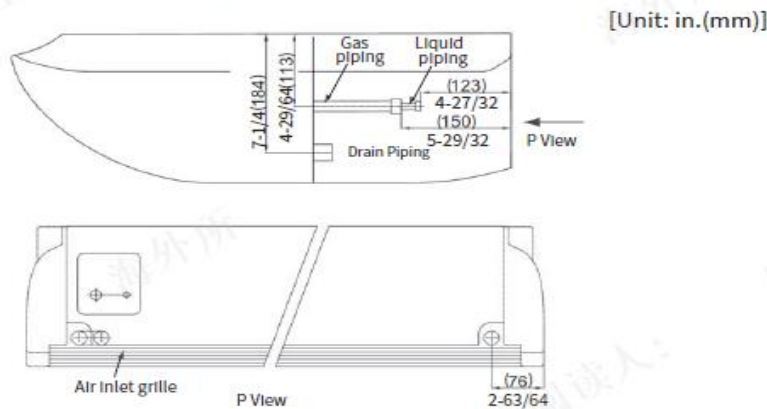
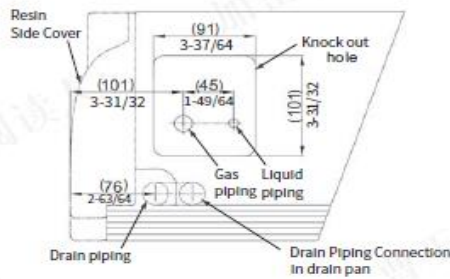


Fig.5.1 Piping Connection of Indoor Unit

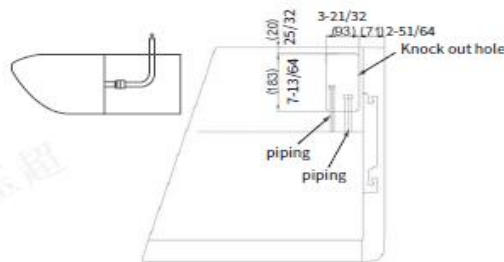
(a) Piping from Rear Side

[Unit: in.(mm)]



(b) Piping from Upper Side

[Unit: in.(mm)]

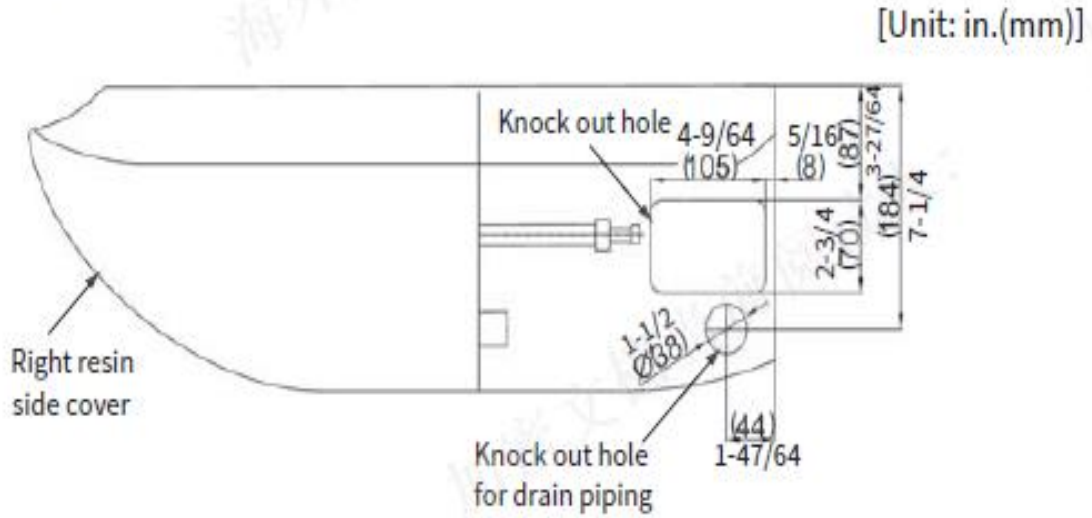


# Dimensional Data

INDOOR UNIT

Unit: Inch (mm)

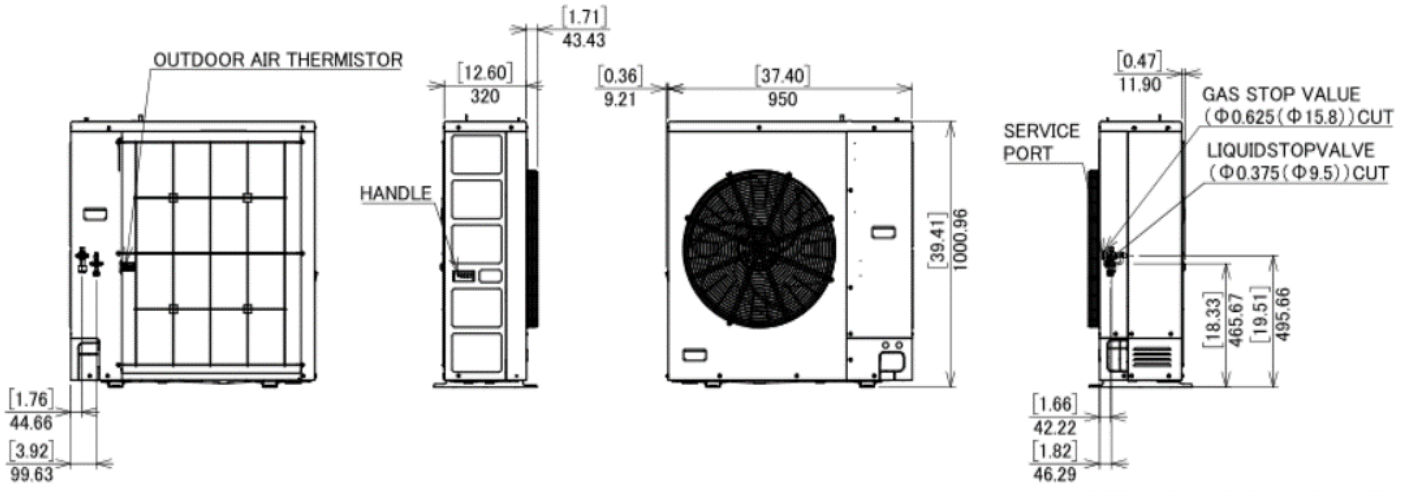
(c) Piping from Right Side Cover



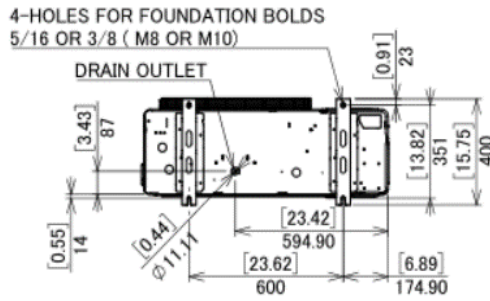
# Dimensional Data

OUTDOOR UNIT

Unit: Inch (mm)



IN CASE OF REMOVING STOP VALVE COVER



## MINIMUM SPACE FOR AIR PASSAGE

