

Job Name:	
Order No.	

## Submittal Data Sheet

PAS-24BUFASDQ1 / PPFC-B24UFA1DQ

24000 Btu/hr Ceiling System



### Efficiency

Cooling		Heating	
SEER2	21.0	HSPF2	10
EER2	13.0	COP	3.9

### Performance

#### Cooling (Btu/hr)

Rated (Min/Max)	22000(9900/26300)
Sensible@AHRI	17100
Operating Range	0°F~115°F

Indoor: 80°F DB/67°F WB  
Outdoor: 95°F DB/75°F WB

#### Heating (Btu/hr)

1: @ 47° Rated (Min/Max )	24000(8700/28000)
2: @ 17° Rated	20000
3: @ 5° Max: Capacity / COP	19000/2.5
Operating Range	-13°F~75°F

- 1: Rated Heating Conditions:** Indoor: 70°F DB/60°F WB  
Outdoor: 47°F DB/43°F WB
- 2: Rated Heating Conditions:** Indoor: 70°F DB/60°F WB  
Outdoor: 17°F DB/15°F WB
- 3: Heating Conditions; Compressor Operating at Max Frequency:** Indoor: 70°F DB/60°F WB  
Outdoor: 5°F DB/5°F WB

### Electrical

	208/60/1	230/60/1
System MCA	14.3	14.3
System MFA	25	25
Compressor RLA	9.3	9.3
Outdoor fan motor FLA	0.34	0.34
Outdoor fan motor W	80	80
Indoor fan motor FLA	0.56	0.56
Indoor fan motor W	181	181

**MFA:** Max. fuse amps **MCA:** Min. circuit amps (A) **FLA:** Full load amps (A)  
**RLA:** Rated load amps (A) **W:** Fan motor rated output (W)

### Piping

Liquid (in)	1/4
Gas (in)	1/2
Drain (in)	3/5
Max. Interunit Piping Length (ft)	164
Max. Interunit Height Difference (ft)	98.4
Chargeless (ft)	98.4
Additional Charge of Refrigerant (oz/ft)	0.194

### Indoor Specifications

	Cooling		Heating	
	Hi2	Hi	Hi2	Hi
Airflow Rate (cfm)	780	740	780	740
	M	L	M	L
	680	560	680	560
Sound (dBA)	47		47	
Dimensions (W x H x D) (in)	[62-13/64]x[9-1/16]x[26-49/64]			
Airflow Inlet (H x W) (in)	-			
Weight (Lbs)	105.8			

### Outdoor Specifications

Compressor	KTM240D43UKT	
Refrigerant	R32	
Factory Charge (Lbs)	3.09	
Refrigerant Oil	ESTER OIL VG74	
Airflow Rate (cfm)	Cooling	Heating
	1980	1980
Sound Pressure Level (dBA)	57	
Dimensions (W x H x D) (in)	[35-7/16]x[26-3/16]x[12-19/32]	
Weight (Lbs)	104.5	

Recommended cable between Outdoor and Indoor 14AWG - 18AWG 4 conductors stranded copper wire and Power wiring cable size must comply with applicable national and local codes.

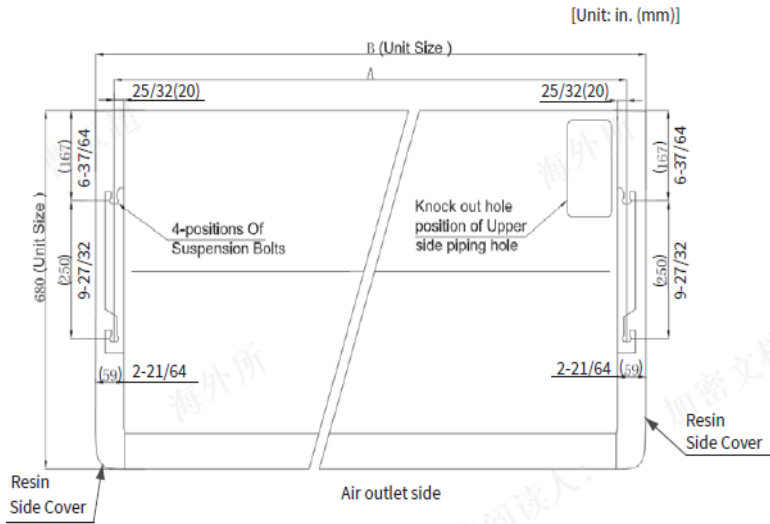
## Optional Accessories

<b>DESCRIPTION</b>	<b>PART NUMBER</b>
Wired Remote Controller	CIW03-H
Wireless Remote Controller	PC-LH8QE (Included)
airCloud Adapter	GA-WFG-N
Mini Central Controller	CCM01
Large Central Controller	CCL01
Central Touchscreen Controller	CCXL02
5 Wire Thermostat Adapter	C3STAT01
5 Wire Thermostat, Wi-Fi, Modbus/Bacnet Adapter	C4STAT01
Remote Control Cable 16.4 ft	PRC-5K
Remote Control Cable 32.8 ft	PRC-10K
Remote Control Cable 49.2 ft	PRC-15K
Motion Sensor Kit	SOR-NEZ
IR Receiver	PI2303H
BACnet/Modbus Gateway	HBN200-PRO
Condensate Pump	DPWM-83819
Auxiliary Heat CN25 connector	PCC-CN1925-H
Remote Sensor	THM-R2A

# Dimensional Data

INDOOR UNIT

Unit: Inch (mm)



Model (Btu/h)	A (in.(mm))	B (in.(mm))
9000-18000	35-29/32(912)	38- 31/32(990)
24000-48000	59-9/64(1502)	62-13/64(1580)

(1) Position of piping connection is shown in Fig.5.1.

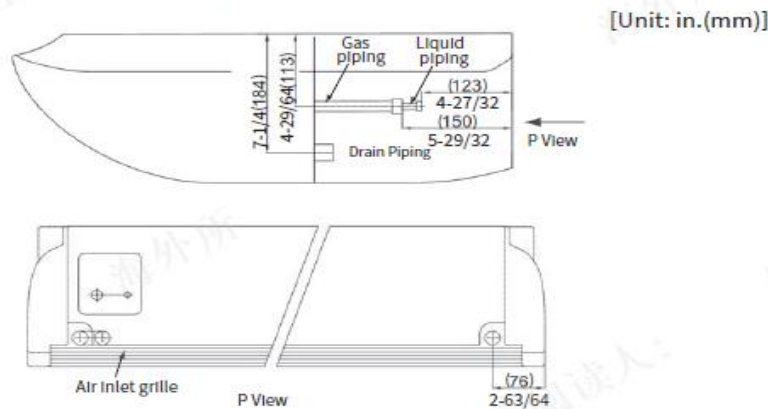
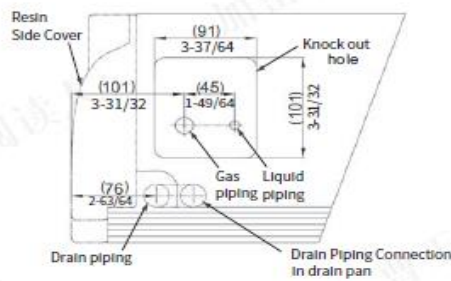


Fig.5.1 Piping Connection of Indoor Unit

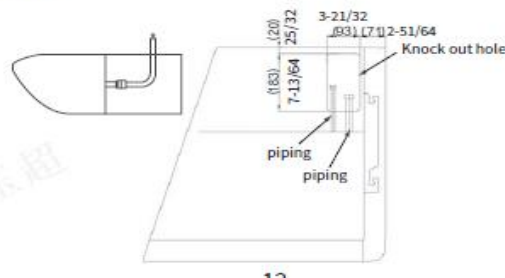
(a) Piping from Rear Side

[Unit: in.(mm)]



(b) Piping from Upper Side

[Unit: in.(mm)]

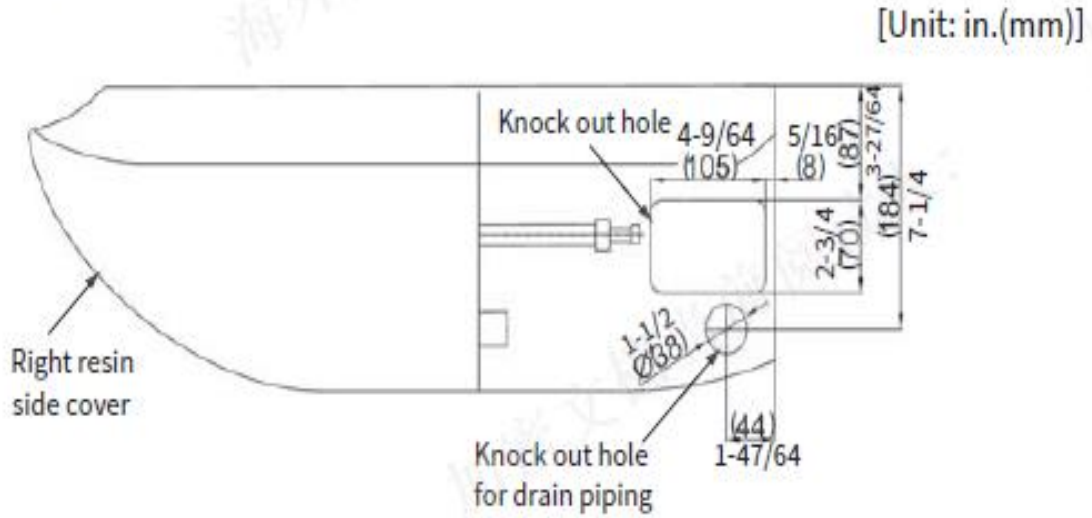


# Dimensional Data

INDOOR UNIT

Unit: Inch (mm)

(c) Piping from Right Side Cover



# Dimensional Data

## OUTDOOR UNIT

Unit: Inch (mm)

