

Job Name	
Order No.	

# HITACHI

<b>Submittal Data Sheet</b>	PAS-24BUFASDQ1 / PPK-B24UFA1DQ
24,000 Btu/hr Wall Mount Heat Pump System	



### Efficiency

Cooling		Heating	
SEER2	21.5	HSPF2	9.1
EER2	13.0	COP	3.8

### Performance

Cooling(Btu/hr)	
Rated(Min/Max)	22000(9900/26300)
Sensible @AHRI	18045.3
Operating Range	0°F~115°F

Indoor: 80°F DB/67°F WB  
Outdoor: 95°F DB/75°F WB

Heating(Btu/hr)	
1: @ 47° Rated (Min/Max )	24000(8700/28000)
2: @ 17° Rated	16800
3: @ 5° Max: Capacity / COP	16800/2
Operating Range	-13°F~75°F

1: Rated Heating Conditions: Indoor: 70°F DB/60°F WB  
Outdoor: 47°F DB/43°F WB  
2: Rated Heating Conditions: Indoor: 70°F DB/60°F WB  
Outdoor: 17°F DB/15°F WB  
3: Heating Conditions; Compressor Operating at Max Frequency: Indoor: 70°F DB/60°F WB  
Outdoor: 5°F DB/5°F WB

### Electrical

	208/60/1	230/60/1
System MCA	14.3	14.3
System MFA	25	25
Compressor RLA	9.3	9.3
Outdoor fan motor FLA	0.34	0.34
Outdoor fan motor W	80	80
Indoor fan motor FLA	0.55	0.55
Indoor fan motor W	52	52

MFA: Max. fuse amps MCA: Min. circuit amps (A) FLA: Full load amps (A)  
RLA: Rated load amps (A) W: Fan motor rated output (W)

### Piping

Liquid (in)	1/4
Gas (in)	1/2
Drain (in)	3/5
Max. Interunit Piping Length (ft)	164
Max. Interunit Height Difference (ft)	98.4
Chargeless (ft)	98.4
Additional Charge of Refrigerant (oz/ft)	0.194

### Indoor Specifications

Airflow Rate (cfm)	Cooling		Heating	
	Hi2	Hi	Hi2	Hi
	885	790	885	790
	M	L	M	L
	735	680	735	680
Sound (dBA)	44		44	
Dimensions (H x W x D) (in)	[14-29/32]x[54-1/4]x[11-19/32]			
Airflow Inlet (H x W) (in)	[8-45/64]x[41-1/4]			
Weight (Lbs)	54			

### Outdoor Specifications

Compressor	KTM240D43UKT		
Refrigerant	R32		
Factory Charge (Lbs)	3.09		
Refrigerant Oil	ESTER OIL VG74		
Airflow Rate (cfm)	Cooling	Heating	
	1980	1980	
Sound Pressure Level (dBA)	57		
Dimensions (W x H x D) (in)	[35-7/16]x[26-3/16]x[12-19/32]		
Weight (lbs)	104.5		

Recommended cable between Outdoor and Indoor 14AWG - 18AWG 4 conductors stranded copper wire and Power wiring cable size must comply with applicable national and local codes.

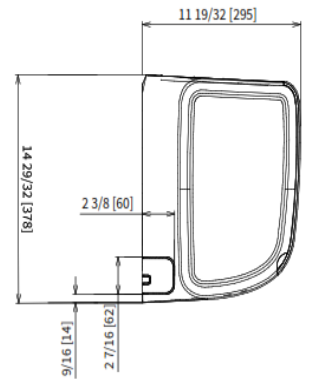
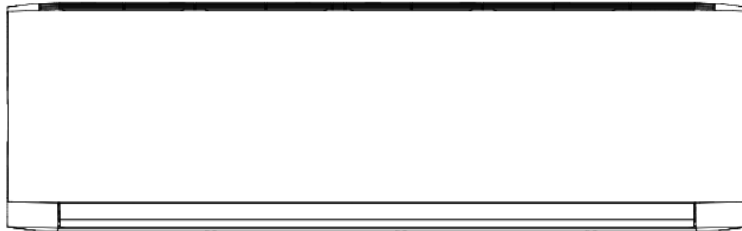
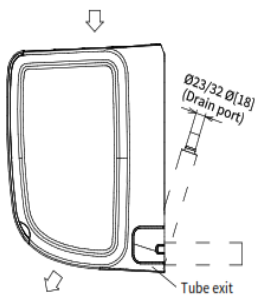
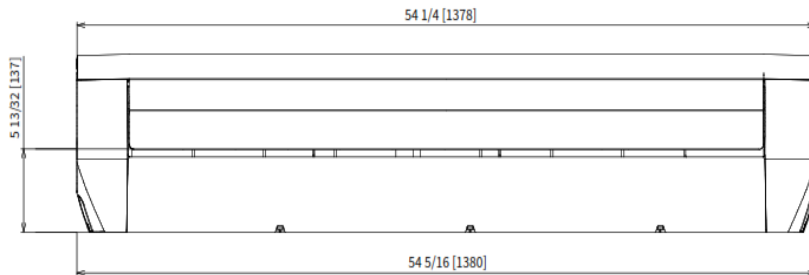
## Optional Accessories:

DESCRIPTION	PART NUMBER
Wired Remote Controller	CIW03-H
Wireless Remote Controller	PC-LH8QE
airCloud Adapter	GA-WFG-N
Mini Central Controller	CCM01
Large Central Controller	CCL01
Central Touchscreen Controller	CCXL02
5 Wire Thermostat Adapter	C3STAT01
5 Wire Thermostat, Wi-Fi, Modbus/Bacnet Adapter	C4STAT01
Remote Control Cable 16.4 ft	PRC-5K
Remote Control Cable 32.8 ft	PRC-10K
Remote Control Cable 49.2 ft	PRC-15K
Motion Sensor Kit	SOR-NEZ
BACnet/Modbus Gateway	HBN200-PRO
Condensate Pump	DPWM-83819
Auxiliary Heat CN25 connector	PCC-CN1925-H
Remote Sensor	THM-R2A

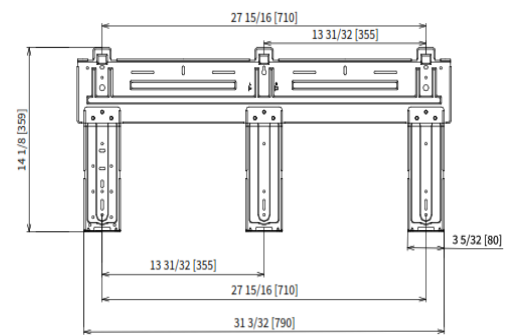
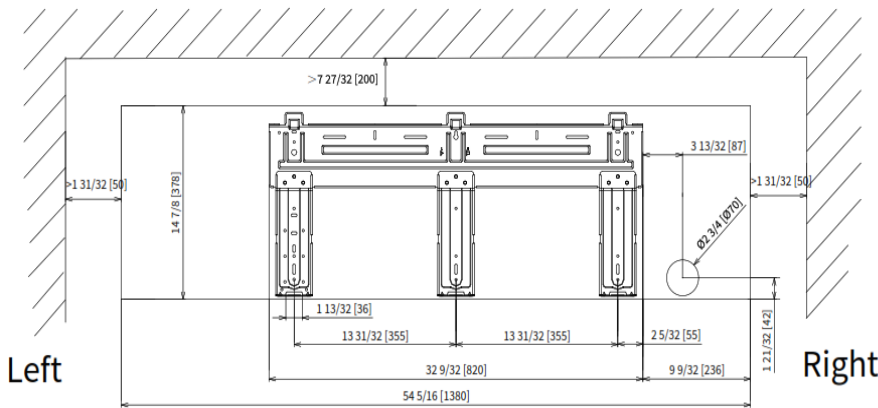
# Dimensional Data:

## Indoor Unit:

PPK-B24UFA1DQ



### Ceiling



# Outdoor Unit:

