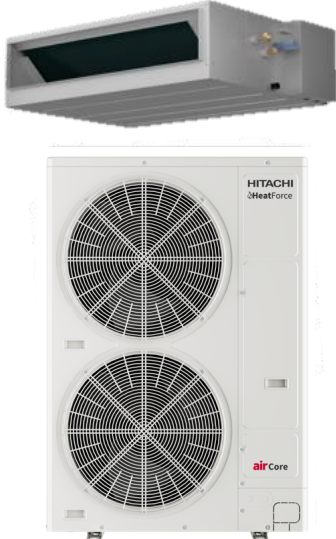


Job Name	
Order No.	

HITACHI

Submittal Data Sheet	PAS-36BLFASDQ1 / PPIM-B36UFA1DQ
36,000 Btu/hr Ducted Heat Pump System	



Indoor Specifications				
	Cooling		Heating	
	Hi2	M	Hi2	M
	Airflow Rate (cfm)	1270	950	1270
	L		L	
	830		830	
Sound (dBA)	43		43	
Dimensions (W x H x D) (in)	[55-1/8(+2-61/64)]x [11-13/16]x[31-1/2]			
Airflow Inlet (H x W) (in)	[10-5/64]x[53-1/32]			
Weight (Lbs)	106			
External Static Pressure (in. WC.)	0.8			

Outdoor Specifications		
Compressor	ATH356SKRC9EQ	
Refrigerant	R32	
Factory Charge (Lbs)	7.5	
Refrigerant Oil	RmM68EA or equivalent	
Airflow Rate (cfm)	Cooling	Heating
	4823	4823
Sound Pressure Level (dBA)	56	
Dimensions (W x H x D) (in)	[37-13/32]x[54-21/64]x[12-19/32]	
Weight (lbs)	250	

Efficiency			
Cooling		Heating	
SEER2	21.5	HSPF2	10.7
EER2	13.3	COP	4.2

Performance	
Cooling(Btu/hr)	
Rated(Min/Max)	36,000(14,000/43,000)
Sensible @AHRI	27,182
Operating Range	0°F~115°F

Indoor: 80°F DB/67°F WB
Outdoor: 95°F DB/75°F WB

Heating(Btu/hr)	
1: @ 47° Rated (Min/Max)	38,000(14,500/46,000)
2: @ 17° Rated	34,200
3: @ 5° Max: Capacity / COP	38,000/2.02
Operating Range	-13°F~75°F

1: Rated Heating Conditions: Indoor: 70°F DB/60°F WB
Outdoor: 47°F DB/43°F WB
2: Rated Heating Conditions: Indoor: 70°F DB/60°F WB
Outdoor: 17°F DB/15°F WB
3: Heating Conditions; Compressor Operating at Max Frequency: Indoor: 70°F DB/60°F WB
Outdoor: 5°F DB/5°F WB

Electrical		
	208/60/1	230/60/1
System MCA	22.2	22.2
System MFA	35	35
Compressor RLA	11	11
Outdoor fan motor FLA	0.62	0.62
Outdoor fan motor W	138	138
Indoor fan motor FLA	2.58	2.58
Indoor fan motor W	375	375

MFA: Max. fuse amps MCA: Min. circuit amps (A) FLA: Full load amps (A)
RLA: Rated load amps (A) W: Fan motor rated output (W)

Piping	
Liquid (in)	3/8
Gas (in)	5/8
Drain (in)	1-3/16
Max. Interunit Piping Length (ft)	246
Max. Interunit Height Difference (ft)	98.4
Chargeless (ft)	98.4
Additional Charge of Refrigerant (oz/ft)	0.376

Recommended cable between Outdoor and Indoor 14AWG - 18AWG 4 conductors stranded copper wire and Power wiring cable size must comply with applicable national and local codes.

Optional Accessories:

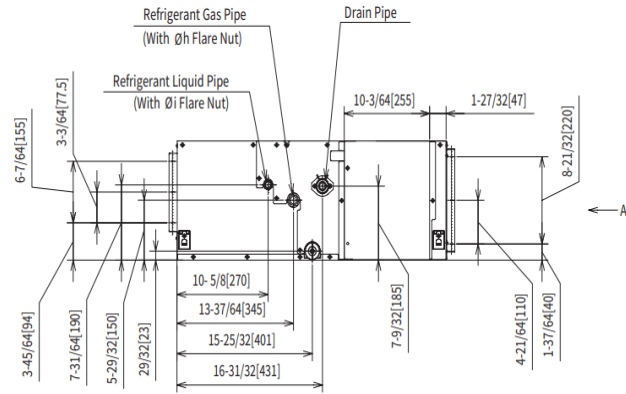
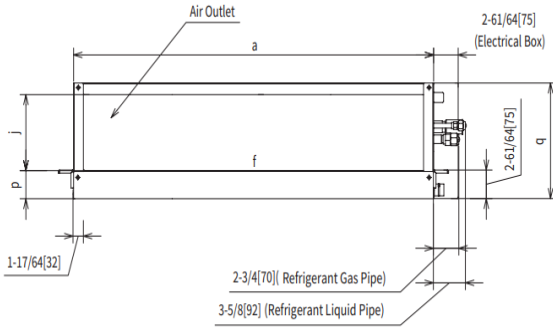
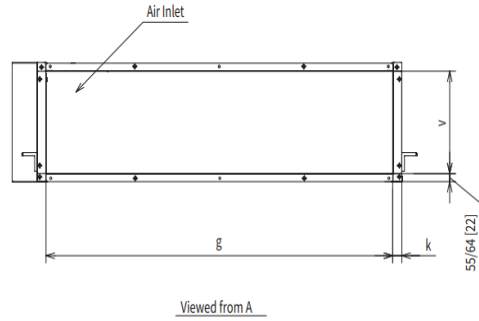
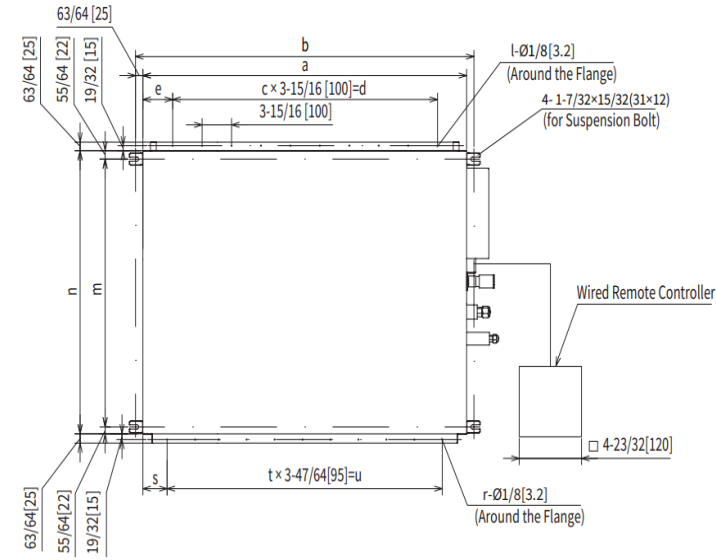
DESCRIPTION	PART NUMBER
Wired Remote Controller	CIW03-H
Wireless Remote Controller	PC-LH8QE
airCloud Adapter	GA-WFG-N
Mini Central Controller	CCM01
Large Central Controller	CCL01
Central Touchscreen Controller	CCXL02
5 Wire Thermostat Adapter	C3STAT01
5 Wire Thermostat, Wi-Fi, Modbus/Bacnet Adapter	C4STAT01
Remote Control Cable 16.4 ft	PRC-5K
Remote Control Cable 32.8 ft	PRC-10K
Remote Control Cable 49.2 ft	PRC-15K
Motion Sensor Kit	SOR-NEZ
Filter Box	FB-48PIE
IR Receiver	PC-ALHZ5Q
Nylon Mesh Filter	KW-PP10Q
BACnet/Modbus Gateway	HBN200-PRO
Condensate Pump	Included
Float Switch	Included
Auxiliary Heat CN25 connector	PCC-CN1925-H
Remote Sensor	THM-R2A
Leak Sensor Kit	RDS-PPIM-B30-48

Dimensional Data:

Indoor Unit:

Models: PPIM-B12~36UFA1DQ

Unit: in. [mm]



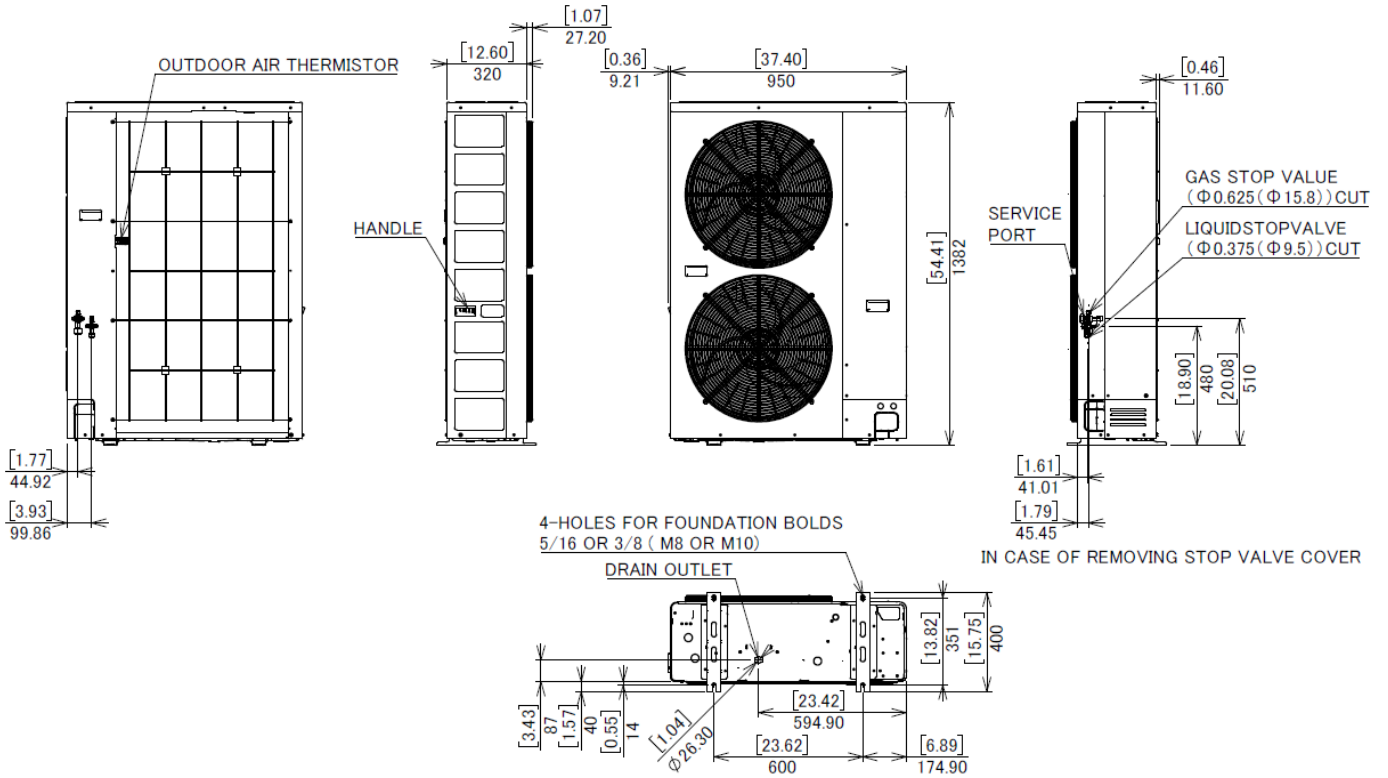
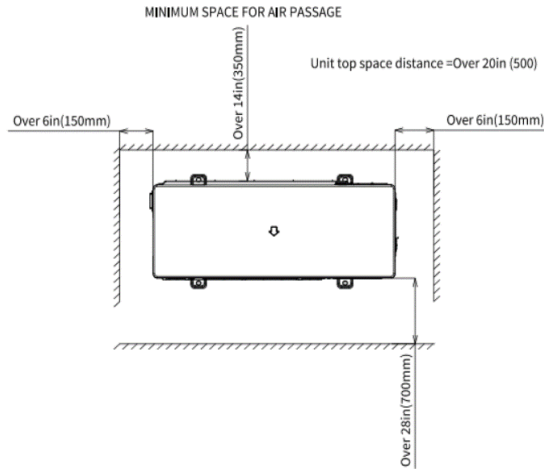
Model Capacity [Btu/h]	a	b	c*	d	e	f	g	h	i	j	k
12K	25-19/32 (650)	27-9/16 (700)	5	19-11/16 (500)	2-61/64 (75)	22-59/64 (582)	23-55/64 (606)	1/2 [12.7]	1/4 [6.35]	5-7/16 (138)	1-1/32 [26]
18K	43-5/16 [1100]	45-9/32 [1150]	10	39-3/8 [1000]	1-31/32 [50]	40-25/32 [1036]	41-7/32 [1047]	1/2 [12.7]	1/4 [6.35]	7-23/32 [196]	1-1/32 [26]
24K	43-5/16 [1100]	45-9/32 [1150]	10	39-3/8 [1000]	1-31/32 [50]	40-25/32 [1036]	41-7/32 [1047]	1/2 [12.7]	1/4 [6.35]	7-23/32 [196]	1-1/32 [26]
30K	43-5/16 [1100]	45-9/32 [1150]	10	39-3/8 [1000]	1-31/32 [50]	40-25/32 [1036]	41-7/32 [1047]	5/8 [15.88]	3/8 [9.53]	7-23/32 [196]	1-1/32 [26]
36K	55-1/8 [1400]	57-3/32 [1450]	12	47-1/4 [1200]	3-55/64 [98]	52-19/32 [1336]	53-1/32 [1347]	5/8 [15.88]	3/8 [9.53]	7-23/32 [196]	1-1/32 [26]

Model Capacity [Btu/h]	l	m	n	p	q	r	s	t*	u	v
12K	23/32 [18]	26-39/64 (676)	28-11/32 (720)	1-11/16 [43]	10-5/8 [270]	23/32 [18]	2-61/64 (75)	5	19-11/16 (500)	8-55/64 [225]
18K	1-1/32 [26]	29-49/64 [756]	31-1/2 [800]	2-7/8 [73]	11-13/16 [300]	1-1/32 [26]	2-23/32 [69]	10	37-13/32 [950]	10-5/64 [256]
24K	1-1/32 [26]	29-49/64 [756]	31-1/2 [800]	2-7/8 [73]	11-13/16 [300]	1-1/32 [26]	2-23/32 [69]	10	37-13/32 [950]	10-5/64 [256]
30K	1-1/32 [26]	29-49/64 [756]	31-1/2 [800]	2-7/8 [73]	11-13/16 [300]	1-1/32 [26]	2-23/32 [69]	10	37-13/32 [950]	10-5/64 [256]
36K	1-17/64 [32]	29-49/64 [756]	31-1/2 [800]	2-7/8 [73]	11-13/16 [300]	1-11/32 [34]	3-15/64 [82]	13	48-5/8 [1235]	10-5/64 [256]

* The number of c and t represents the quantity.

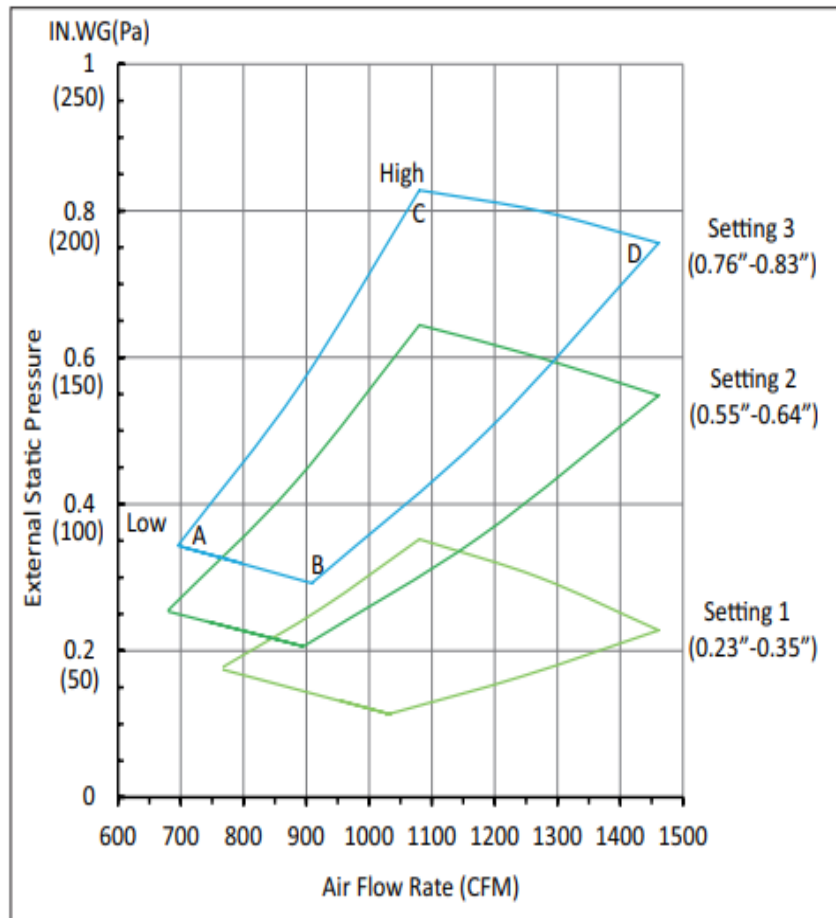
Outdoor Unit:

D/E框



External Static Pressure:

< PPIM-B36UFA1DQ >



Indoor Unit ESP Setting	Point A		Point B		Point C		Point D	
	IN.WG	CFM	IN.WG	CFM	IN.WG	CFM	IN.WG	CFM
1 (0.23"-0.35")	0.17	768	0.11	1034	0.35	1080	0.23	1461
2 (0.55"-0.64")	0.25	681	0.21	895	0.64	1080	0.55	1461
3 (0.76"-0.83")	0.34	699	0.29	910	0.83	1080	0.76	1461