

Job Name	
Order No.	

HITACHI

Submittal Data Sheet	PAS-30BLFASDQ1 / PPK-B30UFA1DQ
30,000 Btu/hr Wall Mount Heat Pump System	



Efficiency

Cooling		Heating	
SEER2	21.8	HSPF2	10.0
EER2	14.0	COP	4.1

Performance

Cooling(Btu/hr)	
Rated(Min/Max)	30000(12800/35500)
Sensible @AHRI	21858.2
Operating Range	0°F~115°F

Indoor: 80°F DB/67°F WB
Outdoor: 95°F DB/75°F WB

Heating(Btu/hr)	
1: @ 47° Rated (Min/Max)	32000(13300/39000)
2: @ 17° Rated	26800
3: @ 5° Max: Capacity / COP	32000/2.0
Operating Range	-13°F~75°F

1: Rated Heating Conditions: Indoor: 70°F DB/60°F WB
Outdoor: 47°F DB/43°F WB
2: Rated Heating Conditions: Indoor: 70°F DB/60°F WB
Outdoor: 17°F DB/15°F WB
3: Heating Conditions; Compressor Operating at Max Frequency: Indoor: 70°F DB/60°F WB
Outdoor: 5°F DB/5°F WB

Electrical

	208/60/1	230/60/1
System MCA	18.5	18.5
System MFA	30	30
Compressor RLA	11	11
Outdoor fan motor FLA	0.62	0.62
Outdoor fan motor W	138	138
Indoor fan motor FLA	0.64	0.64
Indoor fan motor W	52	52

MFA: Max. fuse amps MCA: Min. circuit amps (A) FLA: Full load amps (A)
RLA: Rated load amps (A) W: Fan motor rated output (W)

Piping

Liquid (in)	3/8
Gas (in)	5/8
Drain (in)	1-1/4
Max. Interunit Piping Length (ft)	246
Max. Interunit Height Difference (ft)	98.4
Chargeless (ft)	98.4
Additional Charge of Refrigerant (oz/ft)	0.376

Indoor Specifications				
Airflow Rate (cfm)	Cooling		Heating	
	Hi2	Hi	Hi2	Hi
	980	910	980	910
	M	L	M	L
845	770	845	770	
Sound (dBA)	47		47	
Dimensions (H x W x D) (in)	[14-29/32]x[54-1/4]x[11-19/32]			
Airflow Inlet (H x W) (in)	[8-45/64]x[41-1/4]			
Weight (Lbs)	54			

Outdoor Specifications		
Compressor	ATH356SKRC9EQ	
Refrigerant	R32	
Factory Charge (Lbs)	5.73	
Refrigerant Oil	RmM68EA or equivalent	
Airflow Rate (cfm)	Cooling	Heating
	3035	3035
Sound Pressure Level (dBA)	54	
Dimensions (W x H x D) (in)	[37-13/32]x[38-31/32]x[12-19/32]	
Weight (lbs)	194	

Recommended cable between Outdoor and Indoor 14AWG - 18AWG 4 conductors stranded copper wire and Power wiring cable size must comply with applicable national and local codes.

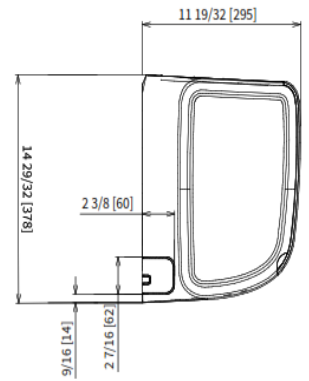
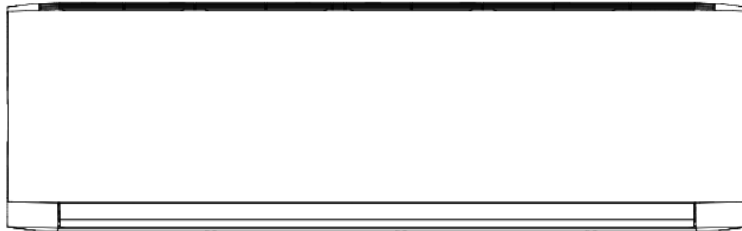
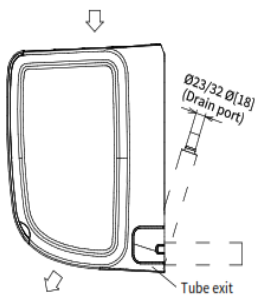
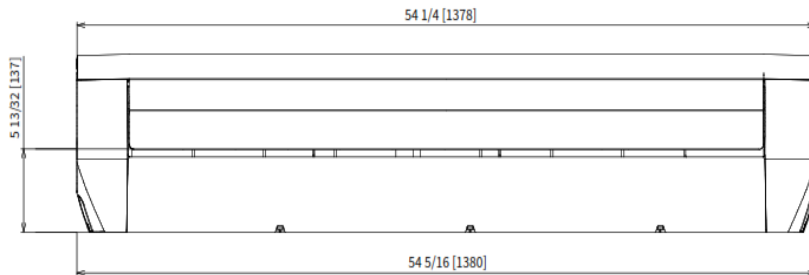
Optional Accessories:

DESCRIPTION	PART NUMBER
Wired Remote Controller	CIW03-H
Wireless Remote Controller	PC-LH8QE
airCloud Adapter	GA-WFG-N
Mini Central Controller	CCM01
Large Central Controller	CCL01
Central Touchscreen Controller	CCXL02
5 Wire Thermostat Adapter	C3STAT01
5 Wire Thermostat, Wi-Fi, Modbus/Bacnet Adapter	C4STAT01
Remote Control Cable 16.4 ft	PRC-5K
Remote Control Cable 32.8 ft	PRC-10K
Remote Control Cable 49.2 ft	PRC-15K
Motion Sensor Kit	SOR-NEZ
BACnet/Modbus Gateway	HBN200-PRO
Condensate Pump	DPWM-83819
Auxiliary Heat CN25 connector	PCC-CN1925-H
Remote Sensor	THM-R2A

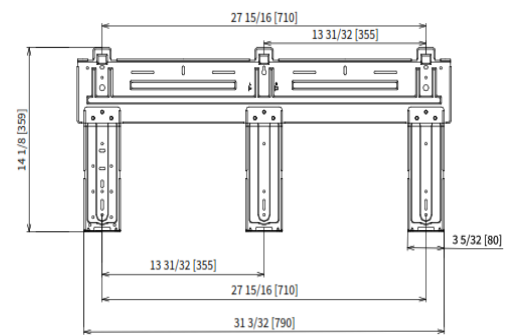
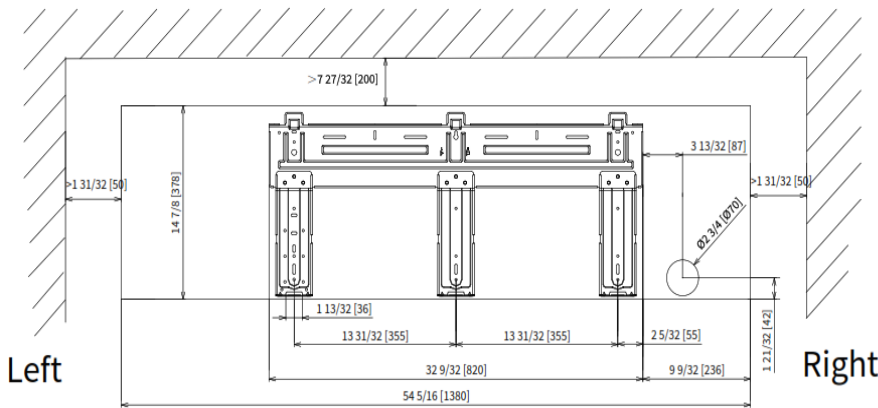
Dimensional Data:

Indoor Unit:

PPK-B30UFA1DQ



Ceiling



Outdoor Unit:

