

HITACHI

Job Name:	
Order No.	

Submittal Data Sheet

RAC-DJ09WHAA / RAK-DJ09PHAA

9000 Btu/hr Wall Mount Heat Pump System



Efficiency

Cooling		Heating	
SEER2	20.0	HSPF2	9.2
EER2	13.00	COP2	3.3

Performance

Cooling (Btu/hr)

Rated (Min/Max)	9000 (4000/10500)
Sensible@AHRI	7060
Operating Range	-0.4°F~114.8°F

Indoor: 80°F DB/67°F WB
Outdoor: 95°F DB/75°F WB

Heating (Btu/hr)

1: @ 47° Rated (Min/Max)	10000(4000/12000)
2: @ 17° Rated	6500
3: @ 5° Max: Capacity / COP	7500 / 2.2
Operating Range	-5°F~75.2°F

- 1: Rated Heating Conditions:** Indoor: 70°F DB/60°F WB
Outdoor: 47°F DB/43°F WB
- 2: Rated Heating Conditions:** Indoor: 70°F DB/60°F WB
Outdoor: 17°F DB/15°F WB
- 3: Heating Conditions; Compressor Operating at Max Frequency:** Indoor: 70°F DB/60°F WB
Outdoor: 5°F DB/5°F WB

Electrical

	208/60/1	230/60/1
System MCA	8	8
System MFA	15	15
Compressor RLA	6	6
Outdoor fan motor FLA	2.38	2.38
Outdoor fan motor W	47	47
Indoor fan motor FLA	0.45	0.45
Indoor fan motor W	38	38

MFA: Max. fuse amps **MCA:** Min. circuit amps (A) **FLA:** Full load amps (A)
RLA: Rated load amps (A) **W:** Fan motor rated output (W)

Piping

Liquid (in)	1/4
Gas (in)	3/8
Drain (in)	5/8
Max. Interunit Piping Length (ft)	82
Max. Interunit Height Difference (ft)	49.2
Chargeless (ft)	49
Additional Charge of Refrigerant (oz/ft)	0.11

Indoor Specifications

	Cooling		Heating	
	H	M	H	M
Airflow Rate (cfm)	450	310	520	350
	L		L	
	270		310	
Sound (dBA)	44		44	
Dimensions (H x W x D) (in)	11.02 X 30.71 X 8.74			
Airflow Inlet (H x W) (in)	3.5 X 25.4			
Weight (Lbs)	17.6			

Outdoor Specifications

Compressor	ASD088CKPA7JK6B	
Refrigerant	R32	
Factory Charge Lbs (kg)	1.54 (0.7)	
Refrigerant Oil	ACS-68R 320ml	
Airflow Rate (cfm)	Cooling	Heating
	950	950
Sound Pressure Level (dBA)	51	
Dimensions (H x W x D) (in)	20.87 X 25.98 X 10.94	
Weight (Lbs)	57	

Recommended cable between Outdoor and Indoor 14AWG - 18AWG 4 conductors stranded copper wire and Power wiring cable size must comply with applicable national and local codes.

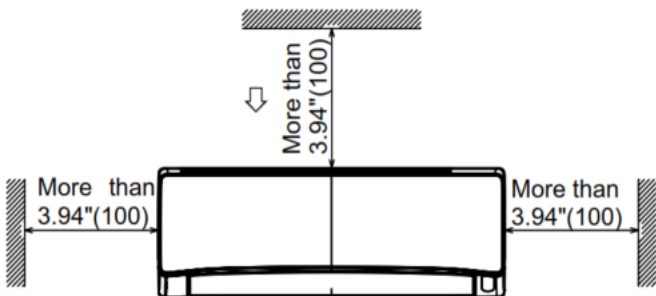
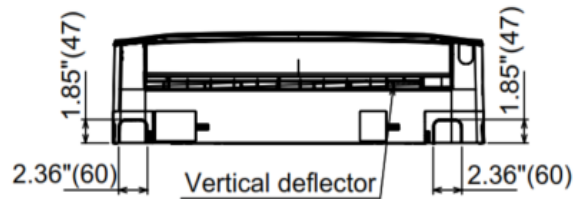
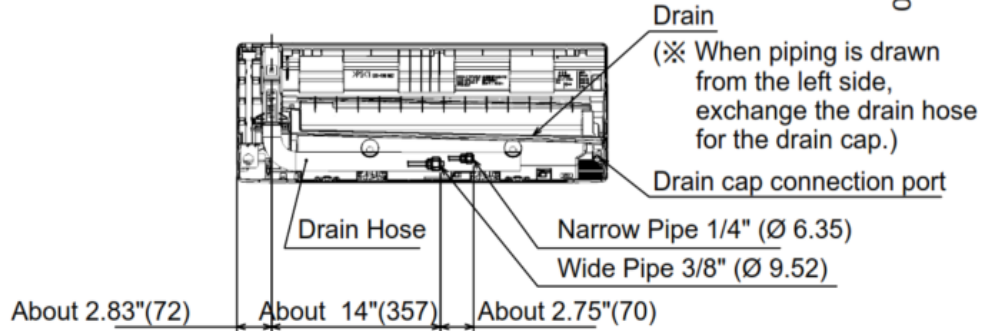
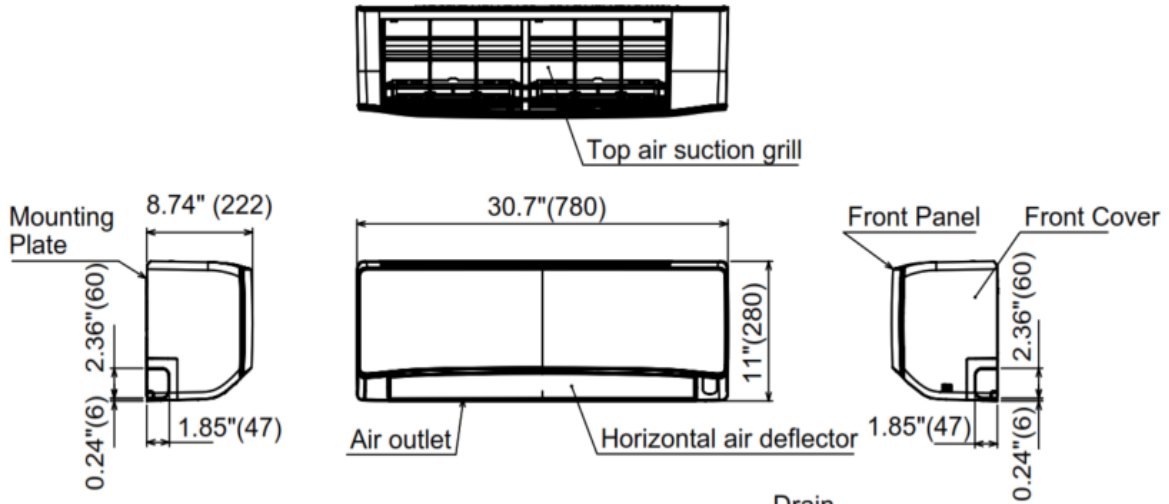
Optional Accessories

Description	Part Number
Remote Controller (Included) – N1	PMK-DJ09PHAAR05
Remote Control Support (Included)	PMK-DJ09PHAAR06
Remote Controller French – N3	PMK-DJ09PHAAR95
Wired Controller	SPX-URFG1
16.4 ft (5m) wire cable for SPX-URFG1	SPX-WKT5M
Wi-Fi Adapter	SPX-WFA01
H-Link Adapter IDU	PSC-6RAD
Adapter for Wired Remote Group Controller	SPX-DST1
26.2 ft (8m) Wire Cable for Distributor SPX-DST1	SPX-WDST8M
Dry Contact	SPX-WDC3
ON/OFF Status and Alarm Signal	SPX-WDC8
Mini Aqua Univolt 100V – 250V	DPWM-83819
Condenser Stand	DL87743
Condenser Wall Bracket	DL87733
Test Switch Jig	PMRAC-X40G2 501

Dimensional Data

INDOOR UNIT

Unit: Inch (mm)

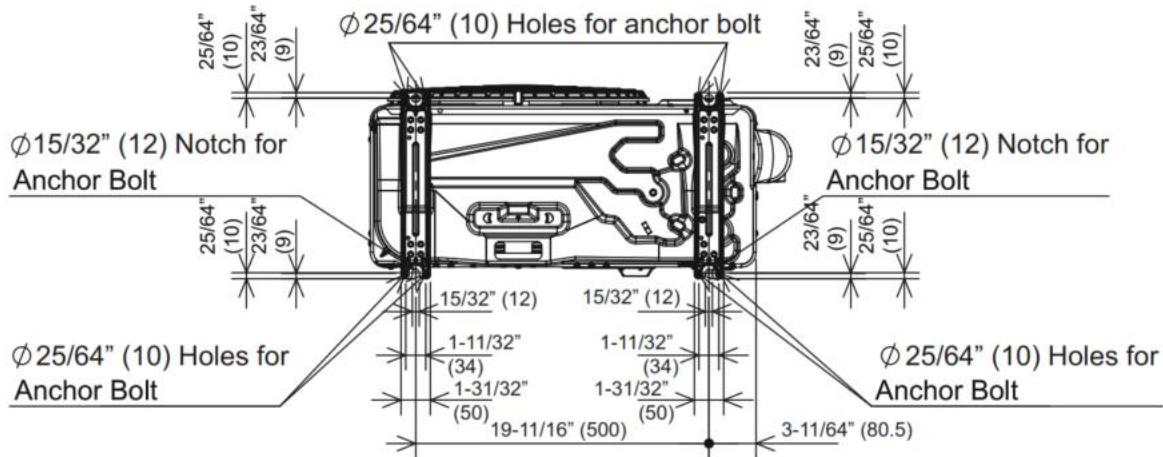
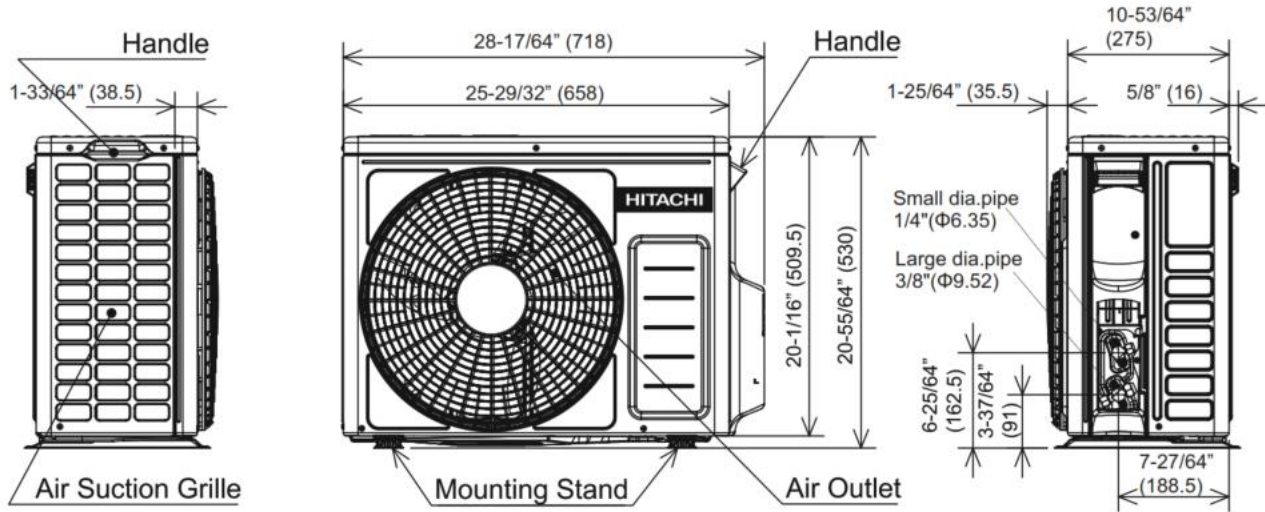


Service Space

Dimensional Data

OUTDOOR UNIT

Unit: Inch (mm)



Service Space

